


## NEO-Tub/Double Wall

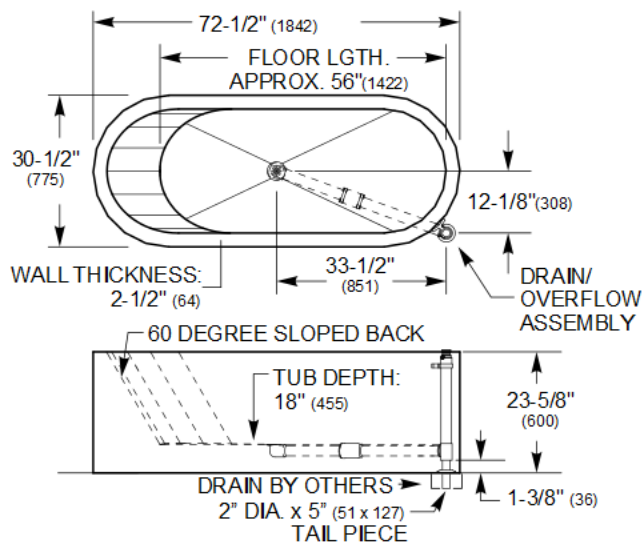
### FEATURES

- Large One-Piece Soaking Tub with Integral Reclining Back
- Insulated Double-Wall, Heavy Gage Stainless Steel Construction
- Stainless Steel is a Recyclable Metal. 
- Extended Skirt Conceals Internal Drain Piping
- Combination Drain & Overflow
- Custom Sizes and Features Can be Fabricated.  
Please Contact Neo-Metro with Custom Specs & Drawing for Quotation.
- Option - Jetting with Heat Maintenance  
See Attached Sheet on Jetted Tub

**NOTE: Faucet and drain in floor not included**



**Model 8972-AL**  
Neo-Tub/Double Wall - Angled Left

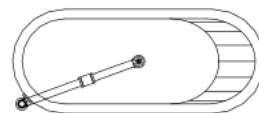
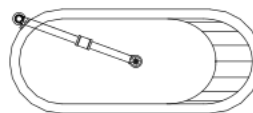


### ORDERING OPTIONS

8972 Satin Stainless Steel Neo-Tub/Double Wall

- AL Angled Left

- AR Angled Right



- JET Tub to be configured with massage jet system with integral temperature maintenance capabilities (See separate specifications for this tub with this option)

**INSTALLATION INSTRUCTIONS ARE AVAILABLE.**

**Product Specification . . .** Tub shall be manufactured with heavy gage, type 304 stainless steel. Construction shall be seamless welded and exposed surfaces shall be polished to a satin finish. The tub features a patented design\* of double wall construction and a 60 degree sloped back. The sloped back allows the user to comfortably recline in the tub. The tub shall have a skirt flush to the floor line concealing the internal plumbing. A 2" (51 mm) combination drain and overflow assembly is provided. The tub can be configured with a massage jet system that has an integral temperature maintenance capabilities.

**Plumbing Specification . . .** Drain in the tub floor is positioned in the center. Water drains out to the 2" (51 mm) combination drain and overflow assembly positioned toward the end of the tub. Faucet not provided by Neo-Metro.

\*U.S. Design Patent 451986.

#### Approved for Manufacturing

Company	Project Name	Authorized Signature	Name Written Clearly	Date
---------	--------------	----------------------	----------------------	------

Neo-Metro assumes no responsibility for use of void or suspended data. All dimensions are nominal and subject to manufacturer change without notice. © 2005 NEO-METRO®, A Division of Acorn Engineering Company. Please visit [www.neo-metro.com](http://www.neo-metro.com) for most current specifications.

**TOLL FREE 800-591-9050 • WEB SITE [www.neo-metro.com](http://www.neo-metro.com)**

NEO-METRO® • P.O. Box 3527 • City of Industry, CA 91744 U.S.A. • Local Phone 626-855-4854 • Fax 626-937-4725

**TS 8972**  
PAGE 1 OF 2

L1000763 (11/15/04)