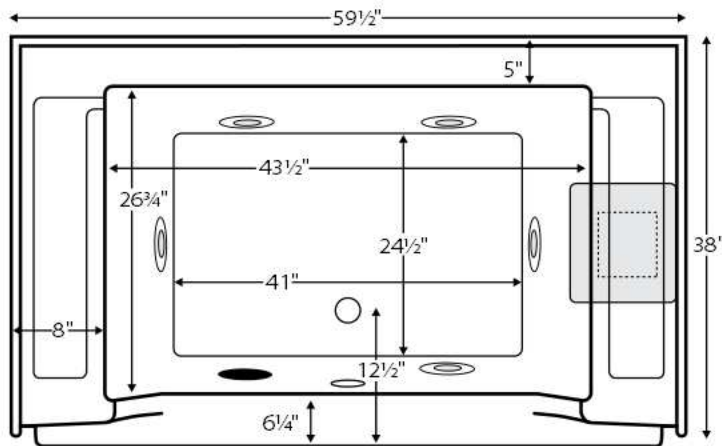




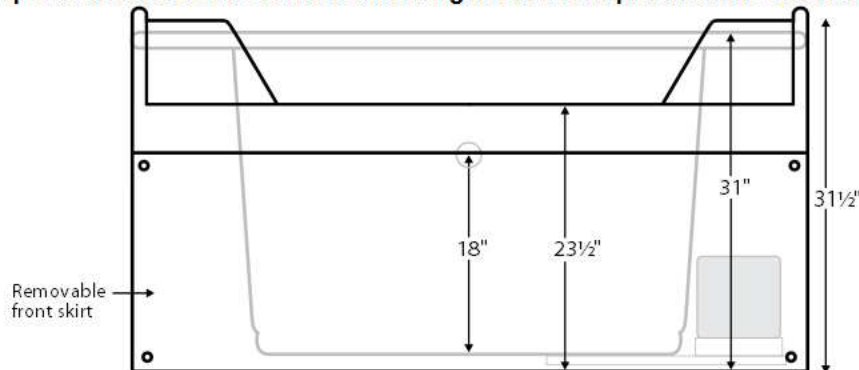
DESIGNER COLLECTION TUBS
MODEL # PET300

Jentle Pet® 2 Pet Spa For Dogs 59.5" x 38" x 31.5"

Installation:
Alcove
cannot be undermounted



NOTE: Pump and fixtures come standard on the right. Left-hand placement is available by special request.



GENERAL SPECIFICATIONS:

Material	Acrylic
Plumbed Weight	163 lbs / 73.93 kg
Soaker Weight	147 lbs / 66.57 kg
Average Fill	61 gal to above jet level
Maximum Fill	88 gal to top

ELECTRICAL SPECIFICATIONS:

Required Electrical Service	110 Volt
Whirlpool	1-15 amp GFCI

CSA Certified C/US; ANSI Z124.1 for plastic tubs and ANSI 112.19.7 for whirlpool components.

IMPORTANT ORDERING & INSTALLATION INFORMATION:

- Before ordering or installing, please consider future access to equipment.
- Suction and control locations may vary.
- Specifications and configurations are subject to change without notice.
- Measurements are $\pm 1/2"$ and are subject to change without notice.
- Measurements herein supersede all others published prior to publication date shown below.

See the "Designer Collection Tubs Installation & Operation Manual" included with tub delivery or go to mtibaths.com/support/installation_operation/manuals for all the information necessary to install and operate the tub.

MTI's Customer Service Department is available Monday-Friday 8am-6pm EST at 800-783-8827 or customerservice@mtibaths.com to answer any questions pertaining to ordering or installation.

