

**ELECTRA  
RESIN DOUBLE  
SLIPPER TUB**

Cat. No.  
RTDSN64-OF



L: 64"  
W: 32 1/4"  
H: 25 1/4"

Water depth: 14-7/8" to overflow



Overflow Connection

**The following is recommended for RTDSN soaking tubs:**

- Faucets: part #4602, #4022, or #4025
- Use with Freestanding Bath Supplies: part #4502-PL
- Freestanding tub fillers: part #7901 or #7913

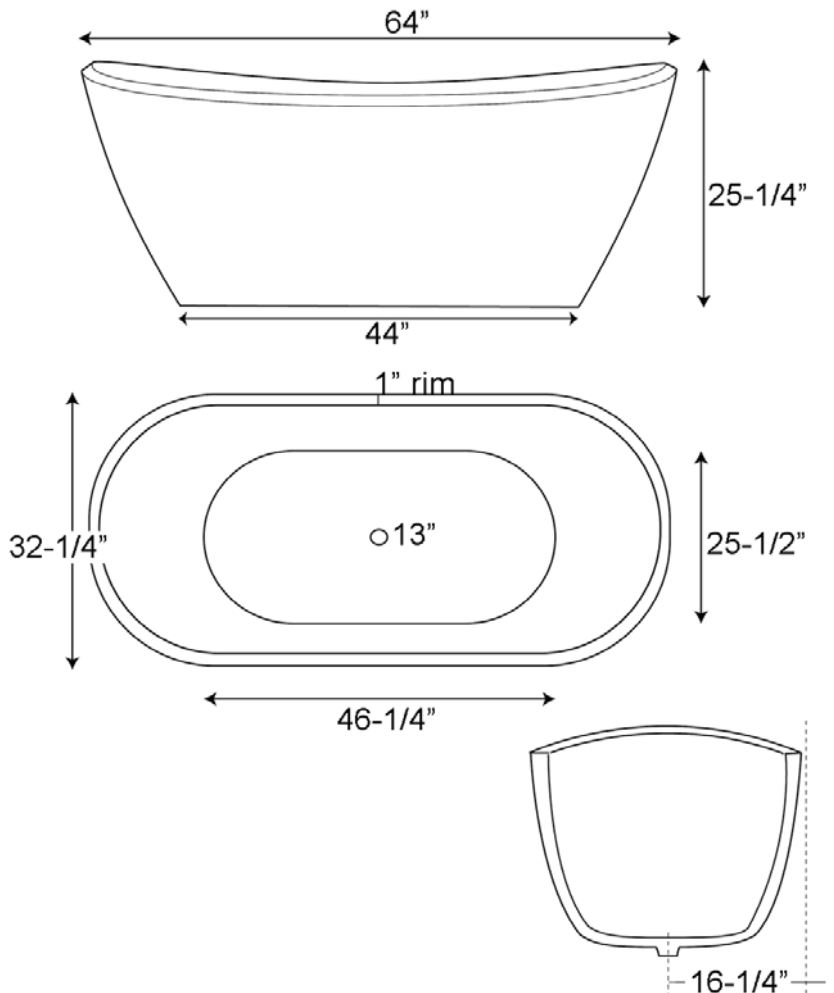
Gallon Capacity: 75 to overflow  
Shipping Weight: 534 lbs.  
Empty Weight: 309 lbs.  
Filled Weight: 935 lbs.

**Features:**

- ▶ Poly-resin blend is the same color throughout
- ▶ 1" thick at rim
- ▶ Exterior has easy care matte finish
- ▶ No faucet holes
- ▶ Has overflow slot with built-in drain channel
- ▶ White drain included
- ▶ Tub is thoroughly inspected before shipment

**Tub Colors:**

**WH White**



Dimensions of fixture are nominal and specifications subject to change without notice.