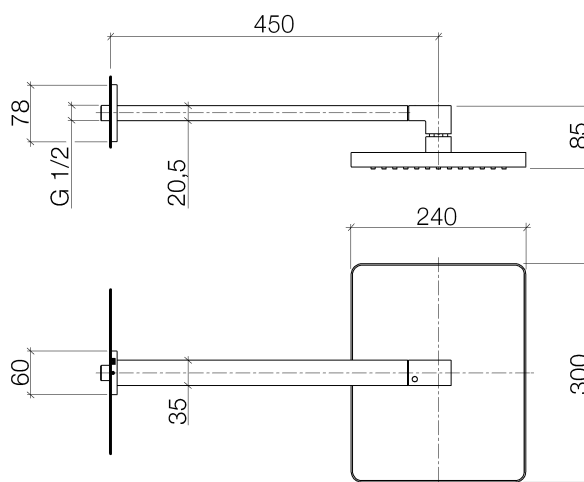


### Product specifications

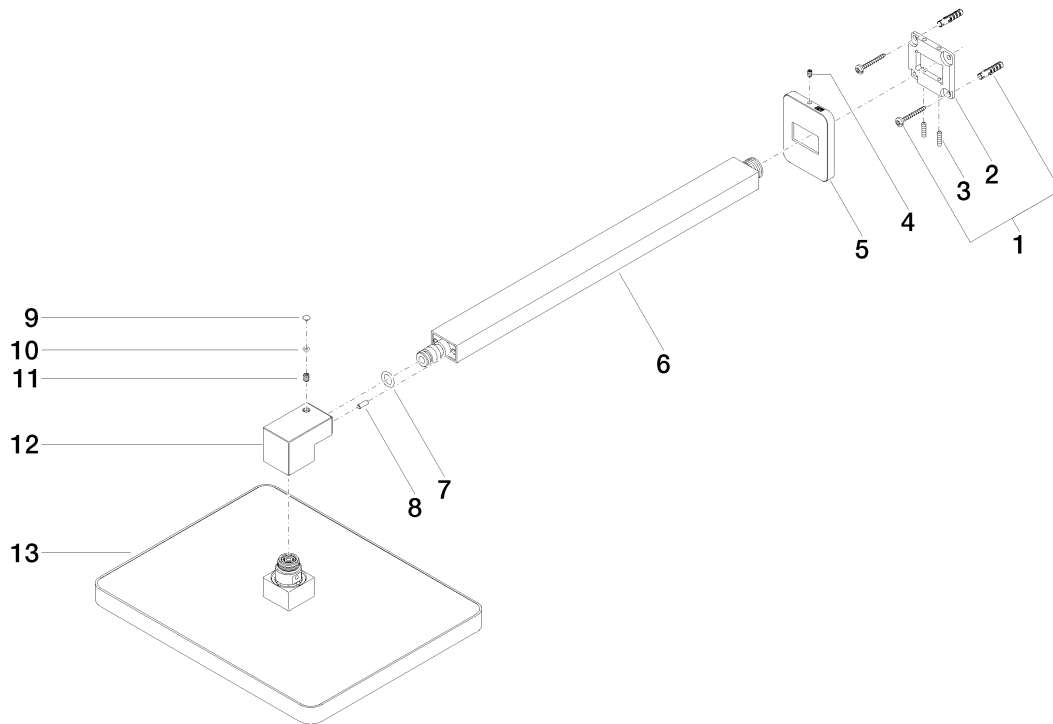
- **17 3/4" projection**
- Rain showerhead 11 3/4" x 9 1/2" with descaling system
- 3 1/8" x 2 3/8" flange
- 1/2" connection
- Water flow rate limited to max. 2 gpm



### Surfaces

- |                 |                 |
|-----------------|-----------------|
| • chrome        | 28785710-000010 |
| • chrome        | 28785710-000010 |
| • matt platinum | 28785710-060010 |
| • matt platinum | 28785710-060010 |

**Exploded assembly drawing**



**Order quantity**

<b>No.</b>	<b>Article number</b>	<b>Name</b>	<b>Installation quantity</b>
<b>1</b>	0430310320090	fixing set	1
<b>2</b>	09301116090	disc	1
<b>3</b>	09311108490	pin	2
<b>4</b>	09311104890	pin	1
<b>5</b>	092771019ff	rosette	1
<b>6</b>	04282224700ff	pipe	1
<b>7</b>	09141001190	seal	1
<b>8</b>	09311104090	pin	1
<b>9</b>	093120087ff	plug	1
<b>10</b>	09141013390	seal	1
<b>11</b>	09311103690	pin	1
<b>12</b>	091701180ff	connection	1
<b>13</b>	04120506010ff	shower	1

