

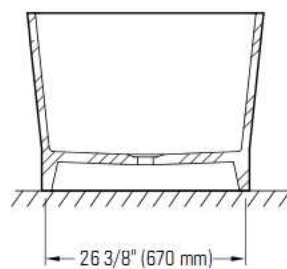
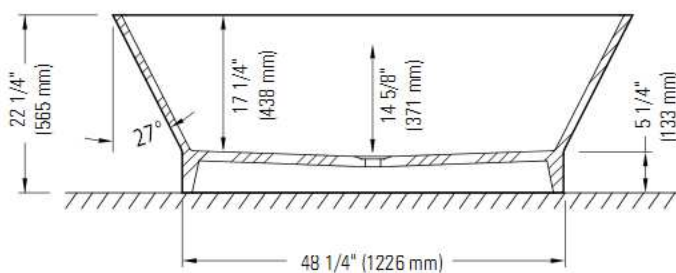
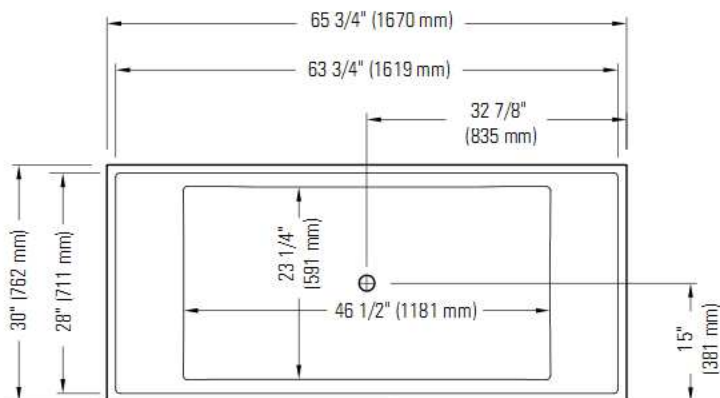


Produits Neptune

WISH R2

INTEGRATED OVERFLOW

Bathtub



*All dimensions are approximate and subject to change without notice.
Please refer to the installation guide before beginning the installation.

6835 PICARD STREET
SAINT-HYACINTHE, QUEBEC J2S 1H3
CANADA

PHONE 450 773 7058
FAX 450 773 5063
TOLL-FREE CANADA 1 888 226 7099
TOLL-FREE USA 1 888 226 7899

produitsneptune.com

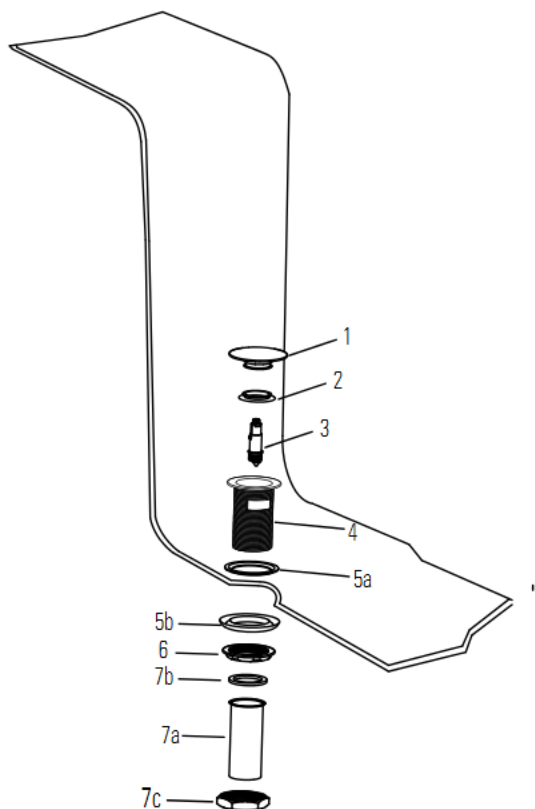
09-2012



Produits Neptune

WISH

Drain



- 1- Plug
- 2- Plug gasket
- 3- Clicker
- 4- Brass center (strainer)
- 5a- Putty ring
- 5b- Waste washer
- 6- Waste assembly nut
- 7a- Brass tailpiece (1½")
- 7b- Washer
- 7c- Tailpiece nut

6835 PICARD STREET
SAINT-HYACINTHE, QUEBEC J2S 1H3
CANADA

PHONE 450 773 7058
FAX 450 773 5063
TOLL-FREE CANADA 1 888 226 7099
TOLL-FREE USA 1 888 226 7899

produitsneptune.com

09-2012



Produits Neptune

WISH

Drain

It is strongly recommended to have two people for this installation.

It is necessary to have access under the bathtub to complete the installation.

If it is not possible, please follow steps 1-6 and then refer to steps A to G

1. Place bathtub on its side on a protected surface or place on blocks before installing the drain;
2. Put a bead of silicone around the drain cup of the bath;
3. Insert the strainer (# 4) and the putty ring (# 5a) inside the drain of the bathtub ensuring alignment between the hole of the strainer with the hole of the overflow channel;
4. Put a bead of silicone in the waste washer (# 5b) and then insert in the strainer under the bathtub;
5. Gently screw the waste assembly nut (# 6) under the strainer and tighten until the waste washer and the strainer are secured tightly, while ensuring that it keeps its initial alignment;
6. Immediately wipe the excess silicone;
7. Gently screw tailpiece nut (# 7c) with the brass tailpiece (# 7a) and the washer (# 7b) in the strainer and tighten;
8. Put the bath in place ensuring the insertion of the brass tailpiece into the PVC pipe outlet (not provided);
9. Tighten the coupling ring of the PVC pipe (not provided);
10. Place a bead of silicone on the periphery of the bathtub on the ground;
11. Do not use the bathtub for 24 hours.

- A. Make sure the PVC pipe drain in the floor is placed at the right height and perfectly fixed;
- B. Place the brass tailpiece (# 7a) inside the seal ring and tighten it to maintain watertightness while still being able to remove and replace the brass tailpiece inside without loosening the ring;
- C. Remove the brass tailpiece from the PVC pipe then tighten with the tailpiece nut (# 7c) in the strainer, maintaining the seal (# 7b) between the two;
- D. Place a bead of silicone on the inside top of the sealing ring of the PVC pipe outlet;
- E. Put the bathtub in place ensuring the insertion of the brass tailpiece into the PVC pipe outlet;
- F. Place a bead of silicone on the periphery of the bathtub on the ground;
- G. Do not use the bathtub for 24h.

6835 PICARD STREET
SAIN T-HYACINTHE, QUEBEC J2S 1H3
CANADA

PHONE 450 773 7058
FAX 450 773 5063
TOLL-FREE CANADA 1 888 226 7099
TOLL-FREE USA 1 888 226 7899

produitsneptune.com

09-2012