

# Soliste 60 Freestanding

Product code : **SL60FS**

Draft revision : **20121011161820**

External dimensions : **60" x 36" x 22" [152,4 cm x 91,4 cm x 55,9 cm]**

Serie : **freestand**

Seats : **1**

2012 catalog page : **14**

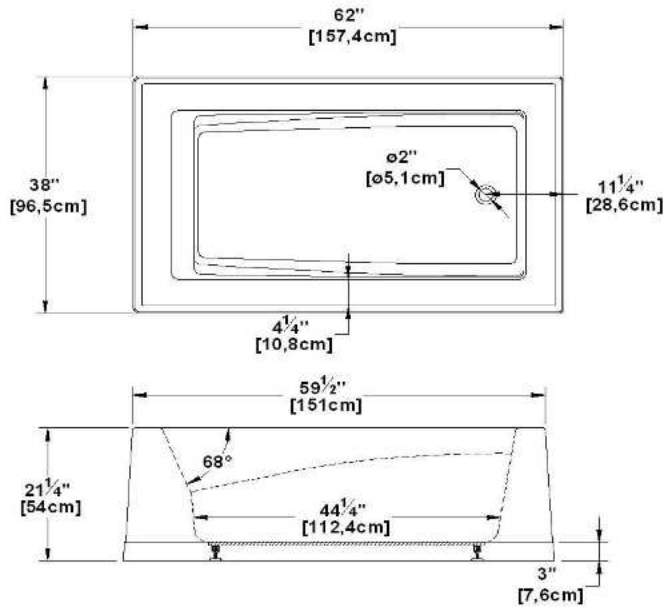
Low-profile available : **no**

Also available in DECKMOUNT

Arm rests : **yes**

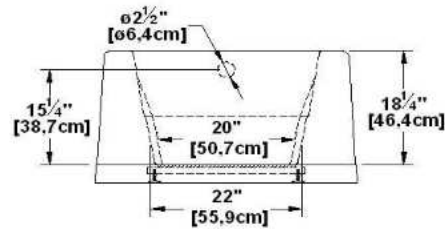
Low-profile available : **no**

## Draft and specs

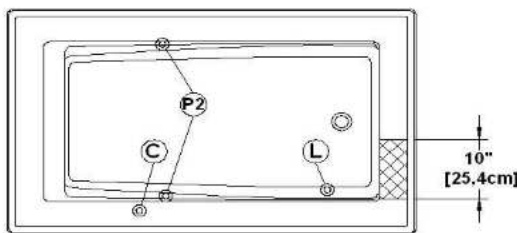


Specifications	
Capacity :	39 IMP Gal. / 50,9 US Gal. / 177,3 liters
AeroMassage™ :	40 Easy Clean™ air jets
Super AeroMassage™ :	AeroMassage™ + 12 Easy Clean™ air jets
Dynamic Turbo™ :	unavailable
Confort Air™ :	unavailable
Characteristics :	n/a

Remarks	
*all measures have a precision of ± 1/4" (0,63cm)	
*internal dimensions taken at 4" (10cm) from bath bottom	
*capacity is measured by filling the soaker to 1-1/2" under the overflow	
*textured skirt available on all freestand products	
*shelf height is 3/4" on all "low-profile" models	



## Options and installation



\*accessories and decorative lines positions are approximative

Additional(s) note(s) :

Available in white only. When ordered with AeroMassage™ or Super AeroMassage™, blower must be relocated. Keypad not installed when ordered with remote control.

Legend		
(S) Blower	(L) Mood light	(C) Keypad
(P) Pump	(P2) Grab bar	
[X] Recommended faucets drilling location*		
Deck cut-out line - - - - -		

Available models	
Model	Availability
Soaker alone	x
Confort Air™	
AeroMassage™	x
Super AeroMassage™	x
Dynamic Turbo™ (not available in the U.S.)	
Dynamic Turbo™ + AeroMassage™	
Dynamic Turbo™ + Super AeroMassage™	

Available recommended options	
Front skirt :	Included (Freestanding)
Recommended drain :	WOCO
Tiling flanges :	unavailable
Floating controller :	available

\*It is possible that faucets may be installed elsewhere on the product. Verify, directly on the product, that there are no conflicting parts before drilling.

IMPORTANT NOTE : Specifications, dimensions and models are subject to change.

Visit our website <http://www.oceania-attitude.com> to access up-to-date dimensions and informations. In all cases, information on the website is the most up-to-date. Dimensions may vary slightly. To ensure proper fit, mesurements must be taken on the product directly.

### Head office

591, avenue des Entreprises  
 Thetford Mines, Quebec  
 CANADA G6H 4B2

### Phone numbers

No-charge : 1-877-332-4224  
 Fax : 1-866-460-4334

### Internet

Web : <http://www.oceania-attitude.com>  
 Email : [info@oceaniabaths.com](mailto:info@oceaniabaths.com)