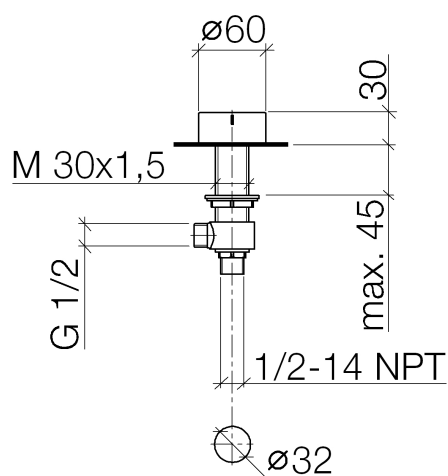


Product specifications

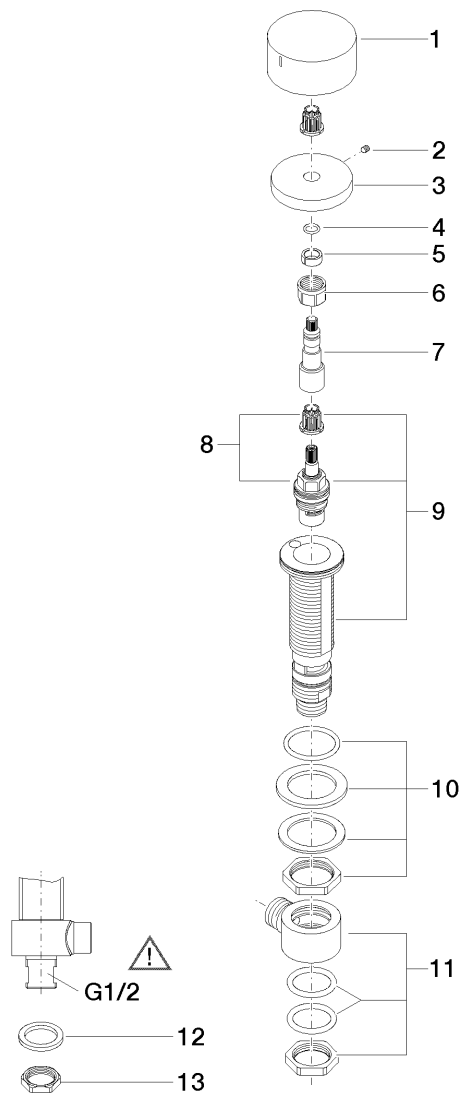
- 1/2" ceramic disc cartridge
- Without flange
- Handle \varnothing 2 3/8"
- 1 1/4" hole diameter



Surfaces

- | | |
|-----------------|-------------|
| • chrome | 20000740-00 |
| • matt platinum | 20000740-06 |
| • matt black | 20000740-33 |

Exploded assembly drawing



Order quantity

No.	Article number	Name	Installation quantity
1	092074005ff	handle (cold)	1
2	09311100790	pin	1
3	092774003ff	rosette	1
4	09141006090	seal	1
5	09141502090	ring	1
6	09233002390	nut	1
7	092906107ff	spindle	1
8	9090031330090	top	1
9	0417110453390	side panel	1
10	0423100327890	fixing set	1
11	0417110231090	distributor	1
12	09301105990	disc	1
13	09231001290	nut	1

