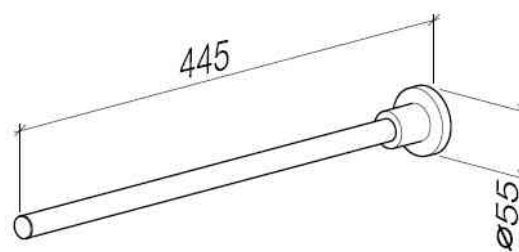




**Product specifications**

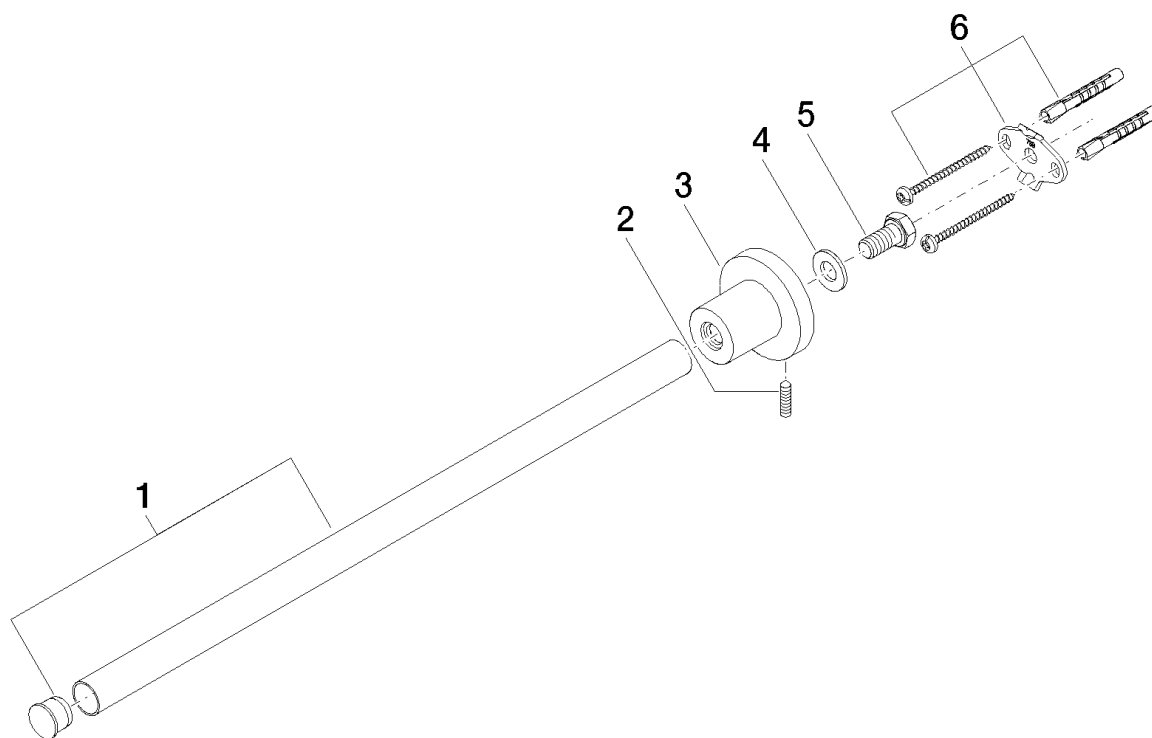
- Flange diameter 2 1/8"
- 17 1/2" projection



### Surfaces

- chrome 83211892-00
- chrome 83211892-00
- matt platinum 83211892-06
- matt platinum 83211892-06
- platinum 83211892-08
- platinum 83211892-08
- matt white 83211892-10
- matt white 83211892-10
- matt black 83211892-33
- matt black 83211892-33

**Exploded assembly drawing**



**Order quantity**

<b>No.</b>	<b>Article number</b>	<b>Name</b>	<b>Installation quantity</b>
<b>1</b>	90282254089ff	holder	1
<b>2</b>	09311111390	pin	1
<b>3</b>	081789505ff	holder	1
<b>4</b>	09301104690	disc	1
<b>5</b>	09303007190	screw	1
<b>6</b>	0517207390090	fixing set	1