

EAST LINEAR

Pull-down Kitchen Faucet

99P



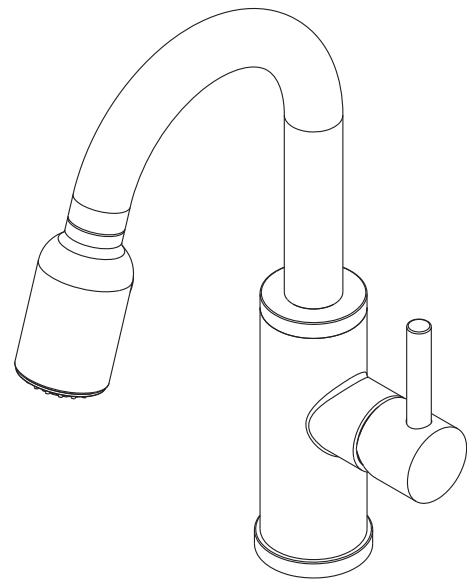
Features

- Solid brass construction
- Euro-motion ceramic disc 35 mm valve cartridge
- Swivel spout assembly with side-mounted ADA compliant lever handle
- Two-function, toggle-control spray engine with trigger reset feature
- Twist-to-secure, twist-to-release engine docking mechanism
- Solid brass spray engine housing
- 7-9/16" (19.2 cm) spout height at outlet
- 7-5/16" (18.6 cm) spout reach (c-c)
- For single hole configurations
- 1.8 gallons (6.8 liters) per minute maximum flow rate

Codes / Standards Compliance

Meets or exceeds the following at date of manufacture:

- ASME A112.18.1/CSA B125.1
- IAPMO/cUPC
- IPC
- NSF 61
- ADA
- ICC/ANSI A117.1
- Energy Policy Act of 1992
- All applicable US Federal and State material regulations



Colors / Finishes

- 10B: Oil Rubbed Bronze
- 15: Polished Nickel
- 15S: Satin Nickel
- 26: Polished Chrome
- Other: Refer to the Newport Brass catalog for additional color/finish options.

Specified Model

Model	Description	Colors / Finishes
99P	Pull-down Kitchen Faucet	<input type="checkbox"/> 10B <input type="checkbox"/> 15 <input type="checkbox"/> 15S <input type="checkbox"/> 26 <input type="checkbox"/> Other

Product Specification:

Add "Color / Finish" suffix to Model number, below.

The Pull-down Kitchen Faucet shall be made of solid brass construction and incorporate a Euro-motion ceramic disc 35 mm valve cartridge. Faucet shall incorporate a swivel spout assembly with side-mounted ADA compliant lever handle. Faucet shall incorporate a two-function, toggle-control spray engine with solid brass spray engine housing. Spray engine shall feature a trigger reset function and a twist-to-secure / twist-to-release spray engine docking mechanism. Product shall incorporate a 7-9/16" (19.2 cm) spout height at outlet and a 7-5/16" (18.6 cm) spout reach (c-c). Faucet shall have a 1.8 gallons (6.8 liters) per minute maximum flow rate and accommodate single hole configurations. Pull-down Kitchen Faucet shall be Newport Brass Model 99P/____ .

99P

Product Dimensions *(units are in inches)*

