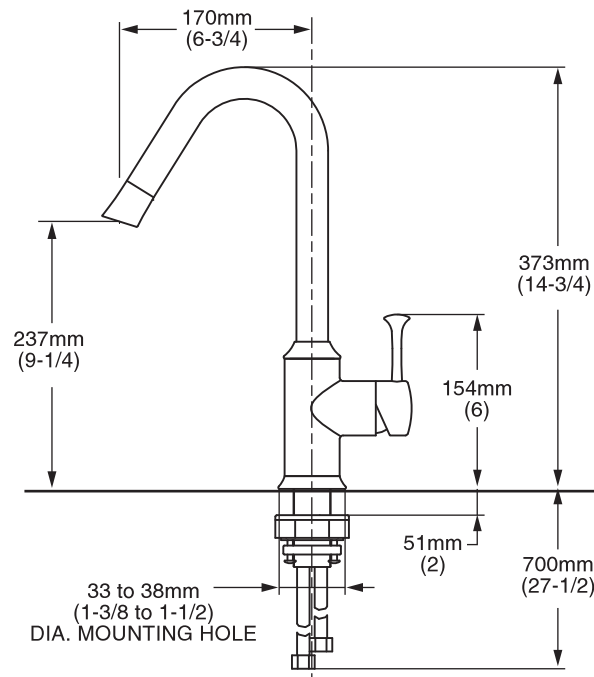




MODEL NUMBER:

☐ **4332.001 Kitchen Faucet With Hi-Flow Spout**



GENERAL DESCRIPTION:

Forged brass body and brass swivel spout with metal lever handle. Washerless 40mm ceramic disc valve cartridge. Brass mounting shank with brass fixation ring. Braided flexible supply hoses with 3/8" compression connectors. 2.2 gpm/8.3L/min. maximum flow rate.

PRODUCT FEATURES:

Ceramic Disc Valve Cartridge: Assures smooth, precise valve control and a lifetime of drip-free, maintenance free performance.

Brass Construction: Highest quality faucet materials for durability & long life.

Memory Position Valving: Allows user to turn valve on and off at preferred temperature setting without readjusting handle position each time.

Low Lead: Meets NSF Standard 61/Section 9 & Prop 65 lead requirements.

Choice of Finishes: Choice of Polished Chrome or Stainless Steel (PVD).

SUGGESTED SPECIFICATION:

Single control kitchen faucet shall feature a forged brass body, brass swivel spout and metal lever handle. Shall also feature washerless ceramic disc valve cartridge, flexible supply hoses. Fitting shall be American Standard Model # 4332.001.____ .