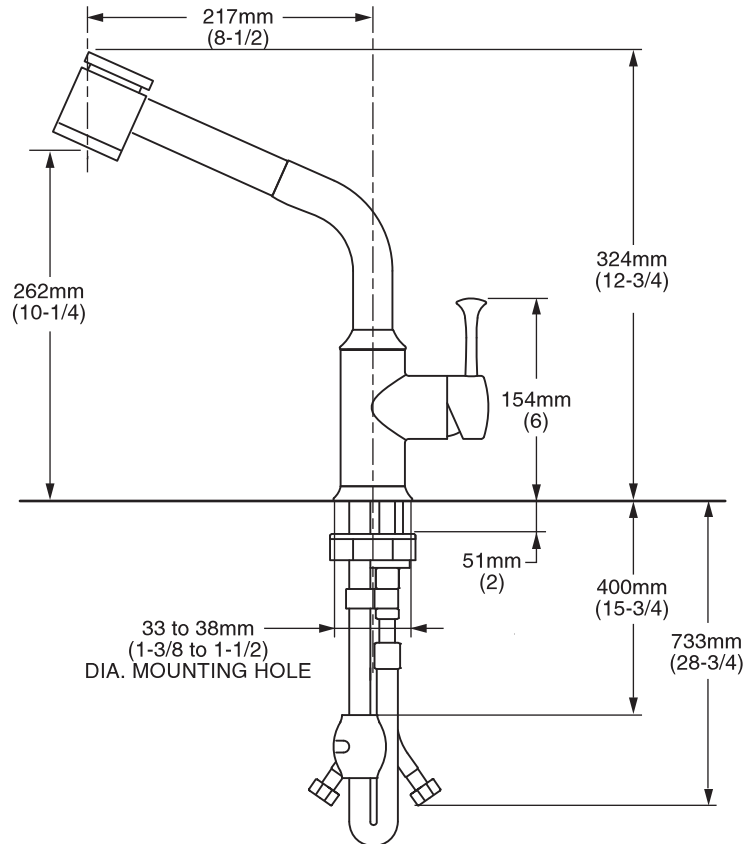


**MODEL NUMBER:**

▣ **4332.100 Kitchen Faucet with Pull-Out Spray**



**GENERAL DESCRIPTION:**

Forged brass body with brass swivel spout and metal lever handle. Pull-out spray with adjustable spray pattern and push button activation. Metal reinforced hose. Washerless 40mm ceramic disc valve cartridge. Complete with two integral check valves. Braided flexible supply hoses with 3/8" compression connectors. 2.2 gpm/8.3Lmin. maximum flow rate.

**PRODUCT FEATURES:**

**Ceramic Disc Valve Cartridge:** Assures smooth, precise valve control and a lifetime of drip-free, maintenance-free performance.

**Brass and Copper Waterway:** Highest quality materials for durability & long life.

**Memory Position Valving:** Allows user to turn valve on and off at preferred temperature setting without readjusting handle position each time.

**Low Lead:** Meets NSF Standard 61/Section 9 & Prop 65 lead requirements.

**Pull-out Spray:** Adjustable spray patterns - stream to spray.

**Integral Check Valves:** Prevents back flow.

**Choice of Finishes:** Choice of Polished Chrome or Stainless Steel (PVD).

**SUGGESTED SPECIFICATION:**

Single control kitchen faucet shall feature a forged brass body with swivel spout and metal lever handle. Shall also feature washerless ceramic disc valve cartridge, flexible supply hoses and two integral check valves. Fitting shall be American Standard Model # 4332.100.\_\_\_\_\_