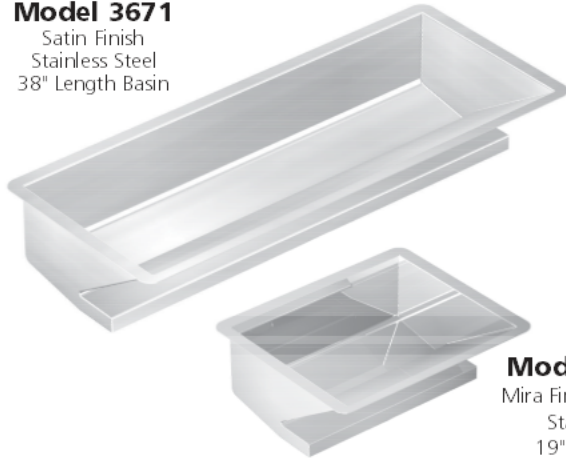


Deep Ebb® Basin

Model 3671

Satin Finish
Stainless Steel
38" Length Basin



Model 3670-HP
Mira Finish (High Polish)
Stainless Steel
19" Length Basin

* U.S. Design Patents D468,815 & D474,835

- **HIDDEN DRAIN BASIN (Patented Design)**
- **"Deep" Depth of 7-1/4" (184 mm)**
- **Heavy 14-Gage Stainless Steel Construction**
- **Standard Overall Lengths:**
 Model 3668 (16" or 406 mm)
 Model 3670 (19" or 483 mm)
 Model 3671 (38" or 965 mm)
PLEASE CONTACT NEO-METRO FOR CUSTOM LENGTHS (Separate Specification Sheet Available)
- **Satin Finish is Standard;**
 Optional Mira High Polish Finish, White Gloss Powdercoat or Black Matte Powdercoat are available
- **Can be Installed as a Drop-in or Undermount Inset Basin**
- **Fold can be Installed Towards or Away from Faucet**
- **Laminar (Soft Flow) Faucet is Recommended (FAUCET NOT INCLUDED)**
- **Ebb Basin is also available in Shallow and Symmetric Configurations.**



This product is compliant with Canadian UPC and IAPMO requirements.



| DESCRIPTION | MODEL/OPTION # |
|--|----------------|
| ORDERING OPTIONS | |
| | INIT. _____ |
|  16" Length Deep Ebb Basin | |
| <input type="checkbox"/> Satin (standard) | 3668 |
| <input type="checkbox"/> Mira (high polish) | 3668-HP |
| <input type="checkbox"/> White Gloss Powdercoat | 3668-EG-10 |
| <input type="checkbox"/> Black Matte Powdercoat | 3668-EG-22 |
|  19" Length Deep Ebb Basin | |
| <input type="checkbox"/> Satin (standard) | 3670 |
| <input type="checkbox"/> Mira (high polish) | 3670-HP |
| <input type="checkbox"/> White Gloss Powdercoat | 3670-EG-10 |
| <input type="checkbox"/> Black Matte Powdercoat | 3670-EG-22 |
|  38" Length (Trough) Deep Ebb Basin | |
| <input type="checkbox"/> Satin (standard) | 3671 |
| <input type="checkbox"/> Mira (high polish) | 3671-HP |
| <input type="checkbox"/> White Gloss Powdercoat | 3671-EG-10 |
| <input type="checkbox"/> Black Matte Powdercoat | 3671-EG-22 |

 **Option for Ebb Basin**

Overflow Waste Outlet - OF

The Deep EBB Basin is available as an inset basin. It is also the featured basin in the EBB Concept.

| | |
|------------------|---------------------------|
| EBB Basin | EBB Concept Models |
| 3668 | 9108 or 9108-WM |
| 3670 | 9110 or 9110-WM |
| 3671 | 9112 or 9112-WM |

 **APPROVAL FOR MANUFACTURE**

COMPANY: _____

PROJECT NAME: _____

SIGNEE'S NAME WRITTEN CLEARLY: _____

DATE _____

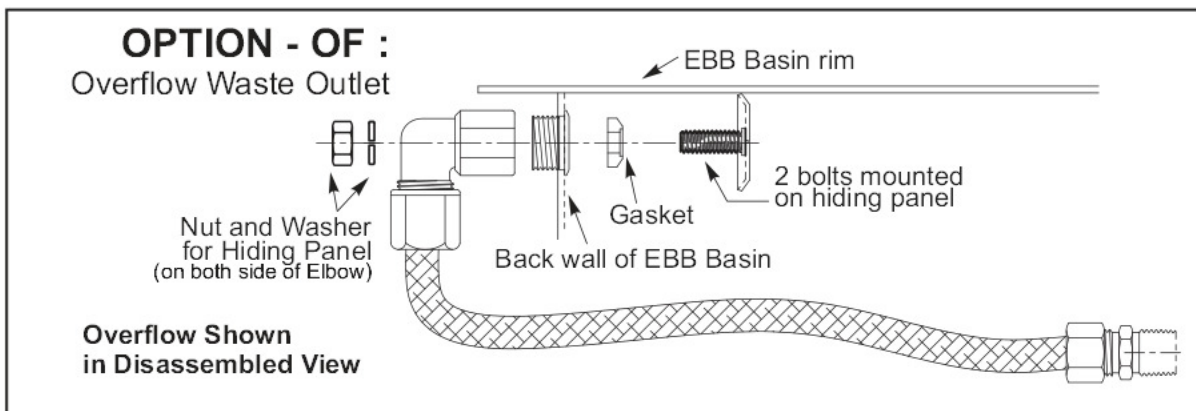
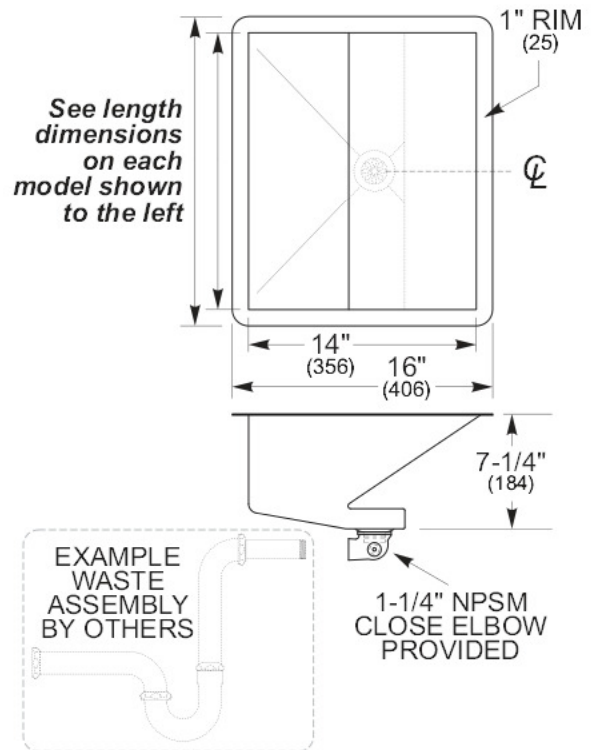
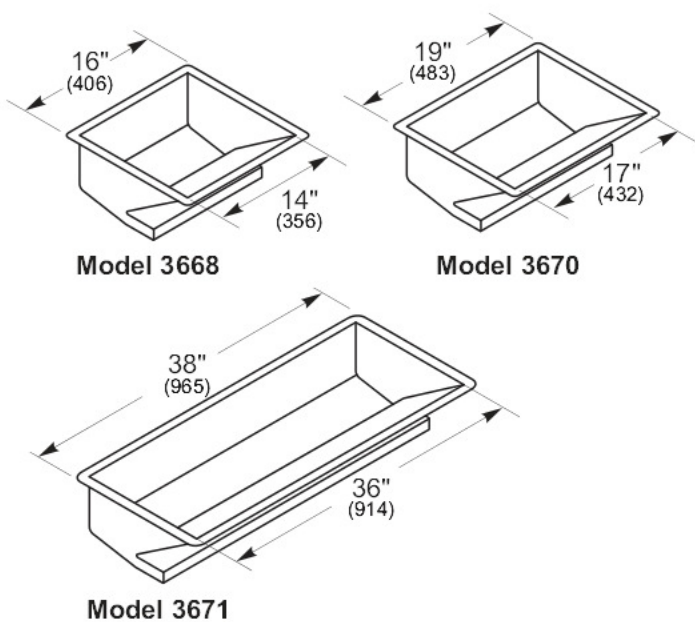
AUTHORIZED SIGNATURE: _____

Deep Ebb® Basin

PRODUCT Specification . . . The Deep Ebb Basin is manufactured from 14-gage, Type 304 stainless steel. Satin Finish stainless steel basin is standard. Mira (High Polish Finish), White Gloss Powdercoated and Black Matte Powdercoated stainless steel fixtures are also available. The basin includes a patented design feature of a sloped surface hiding the drain opening (U.S. Design Patents D468,815 and D474,835). Basin can be installed with fold facing towards or away from faucet (not included). The basin can be installed in a drop-in or undermount

application. The basin shall have a "Deep" depth of 7-1/4" (184 mm). The basin is available in standard overall lengths of 16" (406), 19" (483 mm) or 38" (965 mm).

PLUMBING Specification . . . The Ebb Basin is recommended for drop-in or undermount applications. Laminar (soft flow) faucet is recommended. Faucet and waste assembly not provided. However, a 1-1/4" NPSM close elbow is provided.



Neo-Metro assumes no responsibility for use of void or suspended data. All dimensions are nominal and subject to manufacturer change

INSTALLATION INSTRUCTIONS ARE AVAILABLE