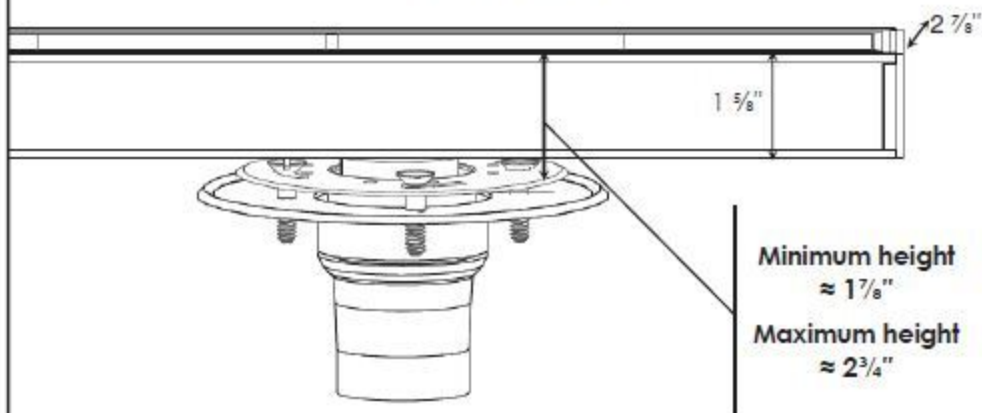


(overall dimensions includes channel)

← Grate available in $39\frac{1}{2}''$, $47\frac{1}{2}''$ & $59\frac{1}{2}''$ lengths →

(Add multiples for longer lengths)



Minimum height

≈ $1\frac{7}{8}''$

Maximum height

≈ $2\frac{3}{4}''$

Clamp down drain is not supplied by Infinity Drain