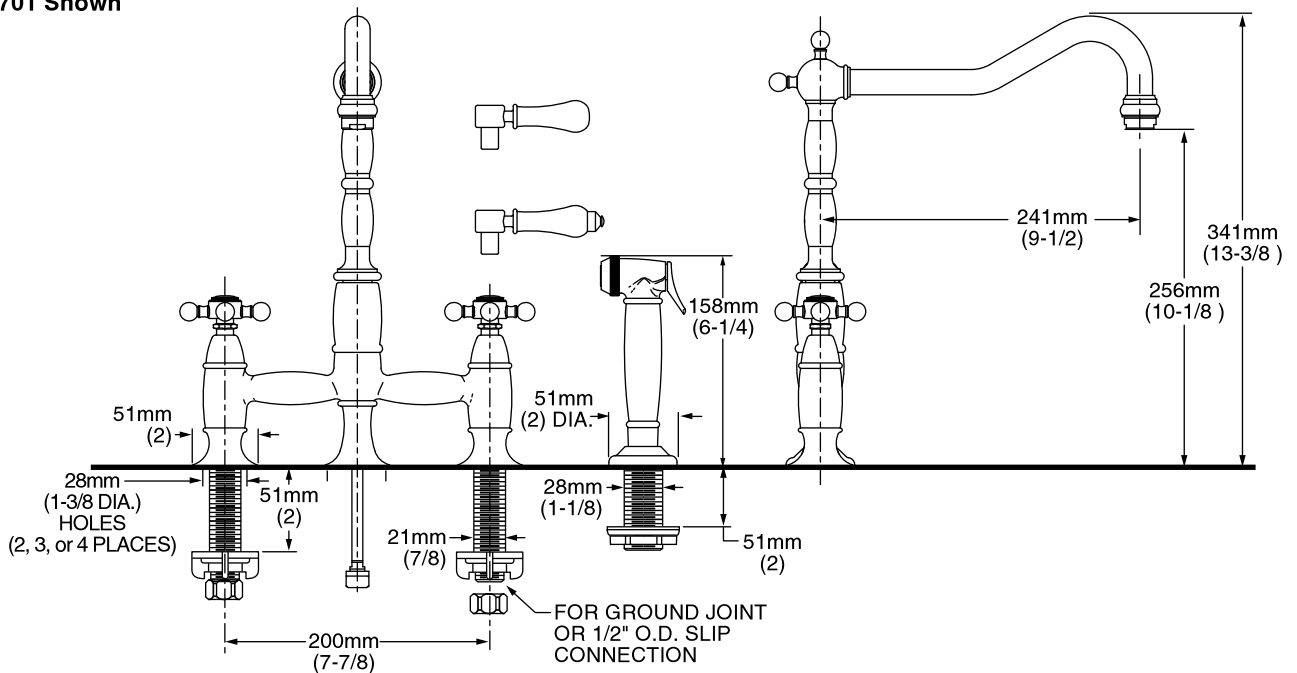


4233.701 Shown

MODEL NUMBER:

- 4233.701 Top-Mount Kitchen Faucet**
 Metal color-matched handspray.
 Metal cross handles.
- 4233.711 Top-Mount Kitchen Faucet**
 Metal color-matched handspray.
 Porcelain lever handles.
- 4233.721 Top-Mount Kitchen Faucet**
 Metal color-matched handspray.
 Metal lever handles.



GENERAL DESCRIPTION:

Durable brass construction. 1/4 turn washerless ceramic disc valve cartridges - reversible for use with either lever or cross handles. 241mm (9-1/2") Brass swivel spout, brass handles and metal color-matched hand spray. One-half inch male inlet shanks with brass coupling nuts. Pressure compensating aerator with 2.2 gpm/8.3 L/min. maximum flow rate. Decorative cap provided for less spray applications.

PRODUCT FEATURES:

Ceramic Disc Valve Cartridges: Assures a lifetime of drip-free performance.

Brass Construction and Cast Brass Waterway: Durable - Excellent in high use applications. Ideal for prolonged contact with water.

Larger Spout: Increased spout height, reach and diameter.

Low Lead: Meets NSF Standard 61/Section 9 & Prop 65 lead requirements.

Choice of Finishes: Available in a wide range of durable finishes.

SUGGESTED SPECIFICATION:

Two handle top-mount bridge kitchen faucet shall feature brass construction with all brass inlet shanks and coupling nuts. 241mm (9-1/2") Brass swivel spout. Shall also feature 1/4 turn washerless ceramic disc valve cartridges that are reversible for use with cross or lever handles. Faucet shall be American Standard Model # _____.