

169-M30 30" Mirror

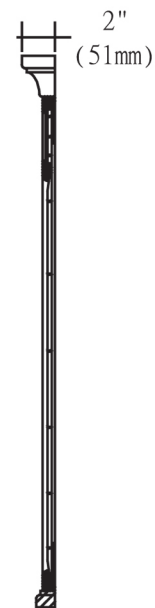
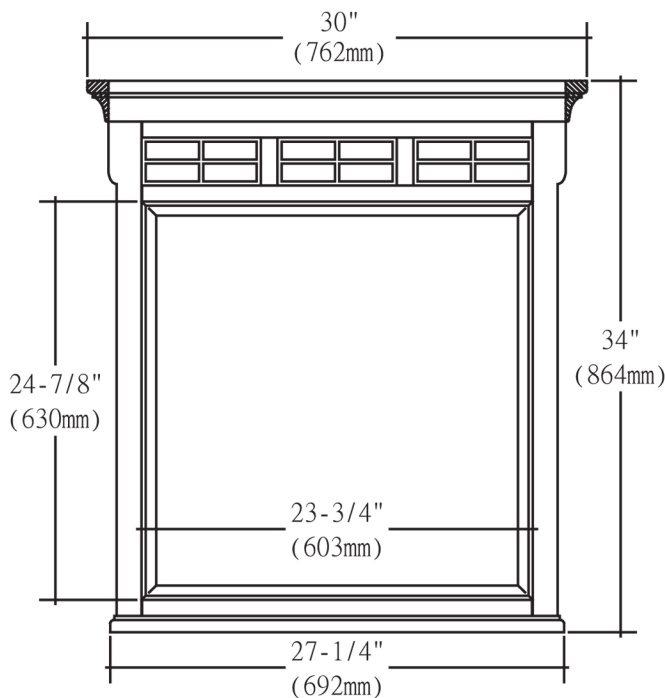
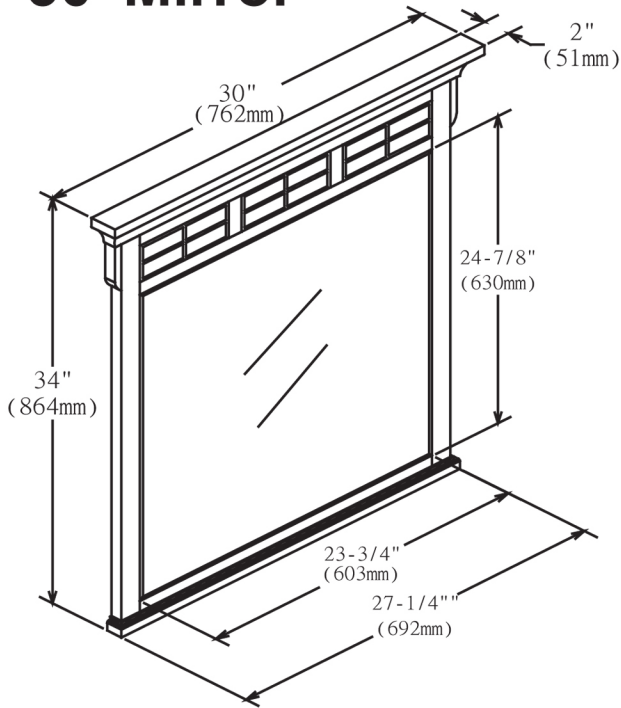
SPECIFICATION SHEET

Features

Mirror : 5/8" Beveled edge
 Materials: Poplar solids with Cherry veneers
 Mounting: Wire
 Glass: 23-3/4" x 24-7/8"

Colors/ Finish

169-Cognac



Date: 2012/03/02