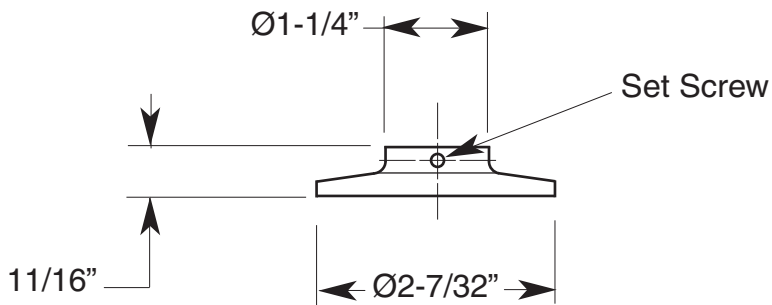
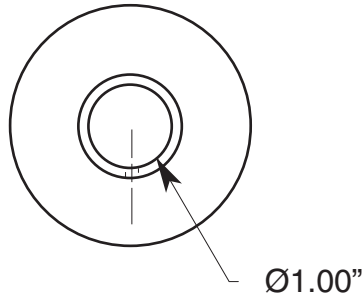


Specifications  
**Shower Flange**

FEATURES:

- All brass construction
- Available in all Sigma finishes
- Meets: ASME A112.18.1-2005 / CSA B125.1-2005

3/4" Deluxe Shower Flange  
with set screw  
18.10.100



Note: Measurements are subject to change or cancellation. No responsibility is assumed for use of superseded or voided pages.