



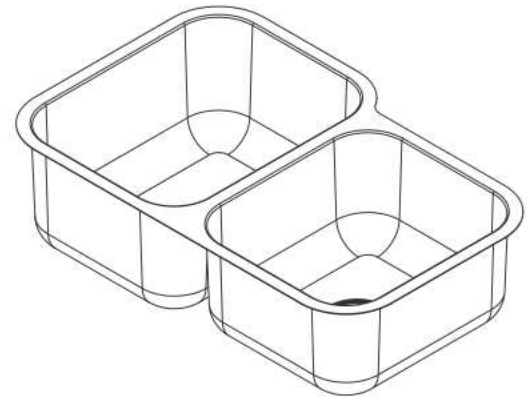
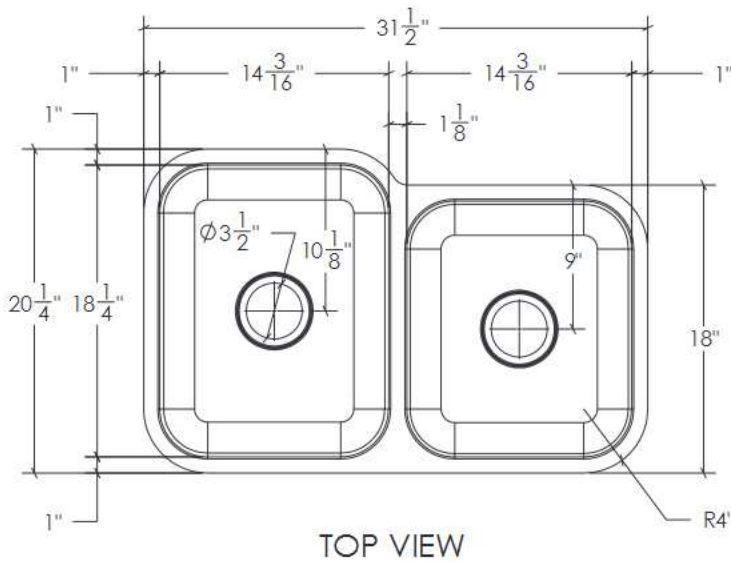
# KSS-504

**FEATURES:**

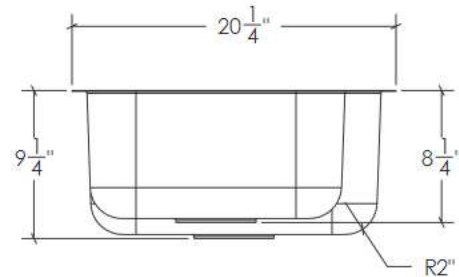
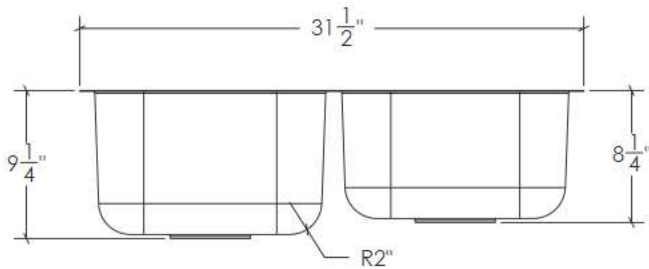
- \* Sink Size: 31 1/2" x 20 1/4" x 9 1/4"
- \* Material: 304 Stainless Steel, 18 Gauge
- \* Double Basin Undermount Sink
- \* Strainer Drain Provided
- \* Warranty: Limited Lifetime Warranty

**CODES / STANDARDS APPLICABLE**

- \* CSA B45
- \* ASME A112.19.2



3D VIEW



**JOB INFORMATION:**

Job Name \_\_\_\_\_  
 Date Specified \_\_\_\_\_  
 Contractor \_\_\_\_\_

\* Specifications and drawings provided on this sheet are for illustration only. Cantrio Concepts will not be held responsible for cutouts made without the actual product or product template.