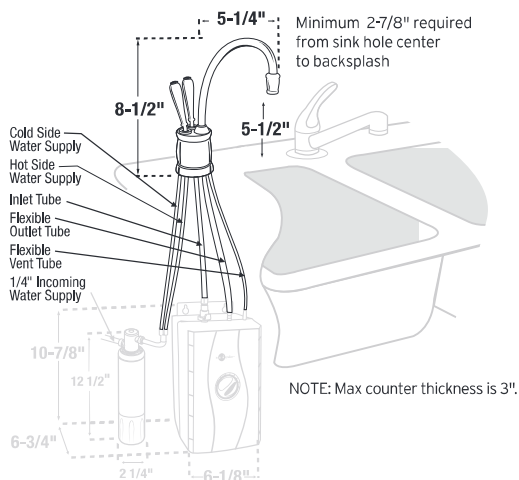




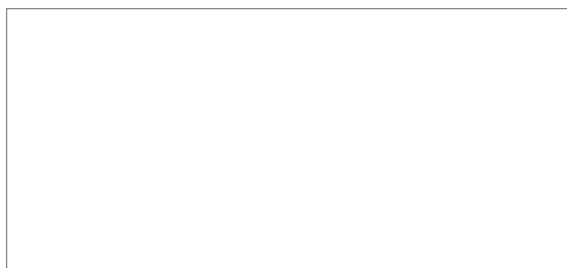
# The Next Necessity™



## Dimensions



## Job Specifications



HWD456-13G-45-10

## Instant Hot Water Dispensers



### F-HC2215

Our finest line of instant hot water dispensers for use with our Hot Water Tank for filtered near-boiling 200°F water and cool drinking water

Tank with filter sold separately (HWT-F1000S)

## Submittal Sheet

- **Hot & Cool** - Dispenses near-boiling 200°F water and cool drinking water
- Graceful classic-design spout swivels for greater convenience and stylish integrated levers provide a dramatic look
- Hot lever automatically shuts off, while Stay-On™ cool lever remains on for easy use
- Durable all brass faucet construction
- *We Come To You*® 5-Year In-Home Limited Warranty\*
- For use with InSinkErator Hot Water Tank and F-1000S Filtration System
- **Available in these designer finishes:**  
Satin nickel, polished nickel, chrome, mocha bronze and oil rubbed bronze

## Specifications

Hot Valve	Instant, self-closing
Cold Valve	Manual return
Shipping Weight	Approximately 5.0 lbs.
Required Hole Diameter	1-3/8" - 1-1/2" standard sink hole



## Sample Specification

Instant hot water dispenser(s) shall be InSinkErator Model F-HC2215 with 2/3-gallon hot water tank, adjustable temperature from 160°F to 210°F and instant, self-closing hot valve.

**Warranty:**  
5-year parts and in-home service.

\* The complete InSinkErator warranty is included in the Care & Use booklet packed with each unit.



Complies with California Lead Plumbing Law

USA  
1-800-558-5700  
www.insinkerator.com

Canada  
1-800-558-5700  
www.insinkerator.ca

Printed in USA



The Emerson logo is a trademark and a service mark of Emerson Electric Co.  
 InSinkErator may make improvements and/or changes in the specifications at any time, in its sole discretion, without notice or obligation and further reserves the right to change or discontinue models.  
 ©2013 InSinkErator, a business unit of Emerson Electric Co. All Rights Reserved.