

# Shallow Ebb® Basin



**Model 3674**

Satin Finish Stainless Steel  
38" Length Basin

**Model 3673**

Satin Finish Stainless Steel  
19" Length Basin

\* U.S. Design Patents D468,815 & D474,835

- **HIDDEN DRAIN BASIN (Patented Design)**
- **"Shallow" Depth of 2-1/2" (64 mm)**
- **Heavy 14-Gage Stainless Steel Construction**
- **Standard Overall Lengths:**  
 Model 3669 (16" or 406 mm)  
 Model 3673 (19" or 483 mm)  
 Model 3674 (38" or 965 mm)  
**PLEASE CONTACT NEO-METRO FOR CUSTOM LENGTHS (Separate Specification Sheet Available)**
- **Satin Finish is Standard;**  
 Optional Mira High Polish Finish, White Gloss Powdercoat, or Black Matte Powdercoat are Available
- **Can be installed as a Drop-in or Undermount Inset Basin**
- **Fold can be installed towards or away from faucet**
- **Laminar (Soft Flow) Faucet is recommended (FAUCET NOT INCLUDED)**
- **ADA Compliant if properly installed**   
 Compliance is subject to the interpretation and requirements of the local code authority. Please check your local ADA regulations.
- **Ebb Basin is also available in Deep and Symmetric Configurations.**

 This product is compliant with Canadian UPC and IAPMO requirements.



DESCRIPTION	MODEL/OPTION #
<b>ORDERING OPTIONS</b>	
	<b>16" Length Shallow Ebb Basin</b>
<input type="checkbox"/> Satin (standard)	3669
<input type="checkbox"/> Mira (high polish)	3669-HP
<input type="checkbox"/> White Gloss Powdercoat	3669-EG-10
<input type="checkbox"/> Black Matte Powdercoat	3669-EG-22
	<b>19" Length Shallow Ebb Basin</b>
<input type="checkbox"/> Satin (standard)	3673
<input type="checkbox"/> Mira (high polish)	3673-HP
<input type="checkbox"/> White Gloss Powdercoat	3673-EG-10
<input type="checkbox"/> Black Matte Powdercoat	3673-EG-22
	<b>38" Length (Trough) Shallow Ebb Basin</b>
<input type="checkbox"/> Satin (standard)	3674
<input type="checkbox"/> Mira (high polish)	3674-HP
<input type="checkbox"/> White Gloss Powdercoat	3674-EG-10
<input type="checkbox"/> Black Matte Powdercoat	3674-EG-22

	<b>Option for Ebb Basin</b>
<input type="checkbox"/>	Overflow Waste Outlet - OF

**The Shallow EBB Basin is available as an inset basin. It is also the featured basin in the EBB Concept.**

<b>EBB Basin</b>	<b>EBB Concept Models</b>
3669	9108 or 9108-WM
3673	9110 or 9110-WM
3674	9112 or 9112-WM

 **APPROVAL FOR MANUFACTURE**

COMPANY: \_\_\_\_\_

PROJECT NAME: \_\_\_\_\_


SIGNEE'S NAME WRITTEN CLEARLY: \_\_\_\_\_

DATE \_\_\_\_\_

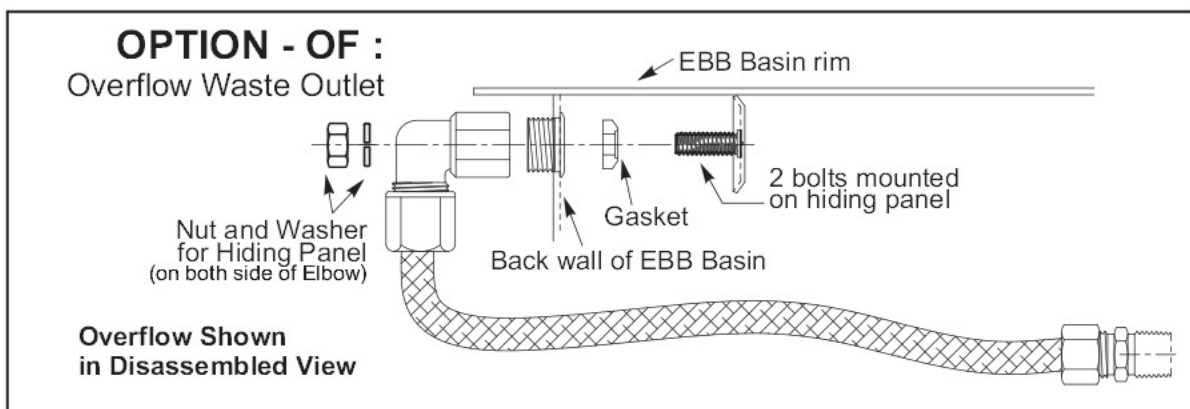
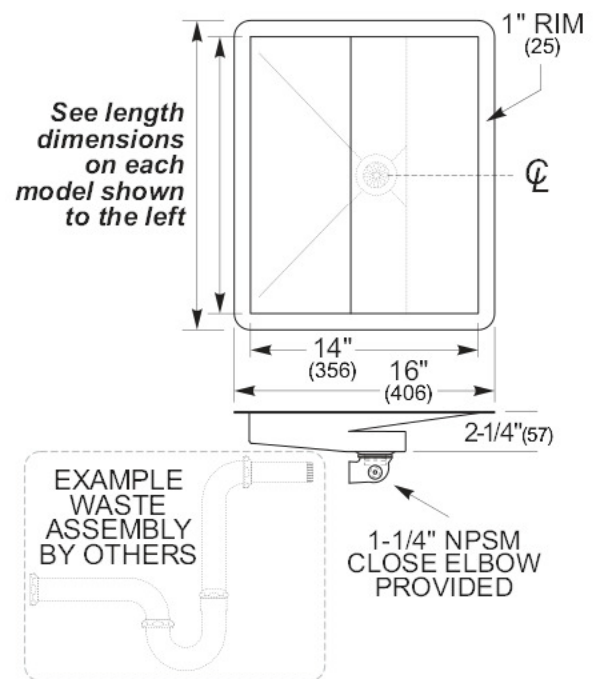
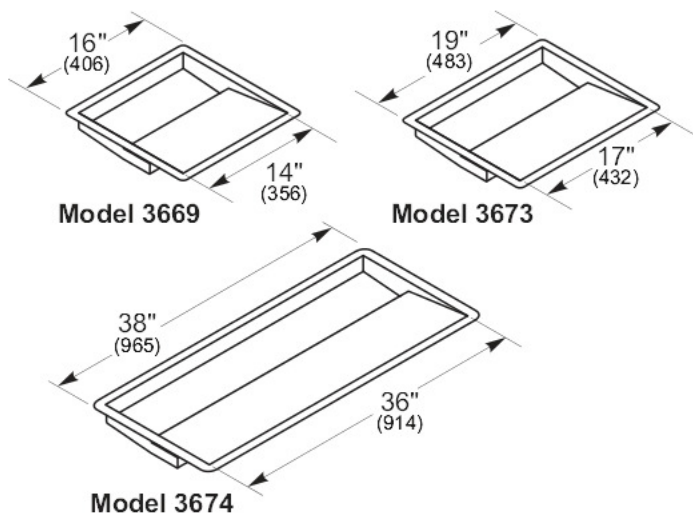
AUTHORIZED SIGNATURE: \_\_\_\_\_

## Shallow Ebb® Basin

**PRODUCT Specification . . .** The Shallow Ebb Basin is manufactured from 14-gage, Type 304 stainless steel. Satin Finish stainless steel is standard. Mira (High Polish Finish), White Gloss Powdercoated and Black Matte Powdercoated stainless steel fixtures are also available. The basin includes a patented design feature of a sloped surface hiding the drain opening (U.S. Design Patents D468,815 and D474,835). Basin can be installed with fold facing towards or away from faucet (faucet not included). The basin can be installed in a drop-in or undermount application. The basin shall have a "Shallow" depth of 2-1/4" (57 mm). The basin is available in standard overall lengths of 16" (406 mm), 19" (483 mm) or 38" (965 mm).

 The Shallow Ebb Basin is ADA compliant if installed properly. (Compliance is subject to the interpretation and requirements of the local code authority. Please check your local ADA requirements.)

**PLUMBING Specification . . .** The Ebb Basin is recommended for drop-in or undermount applications. Laminar (soft flow) faucet is recommended. Faucet and waste assembly not provided. However, a 1-1/4" NPSM close elbow is provided.



Neo-Metro assumes no responsibility for use of void or suspended data. All dimensions are nominal and subject to manufacturer change without notice.

**INSTALLATION INSTRUCTIONS ARE AVAILABLE**