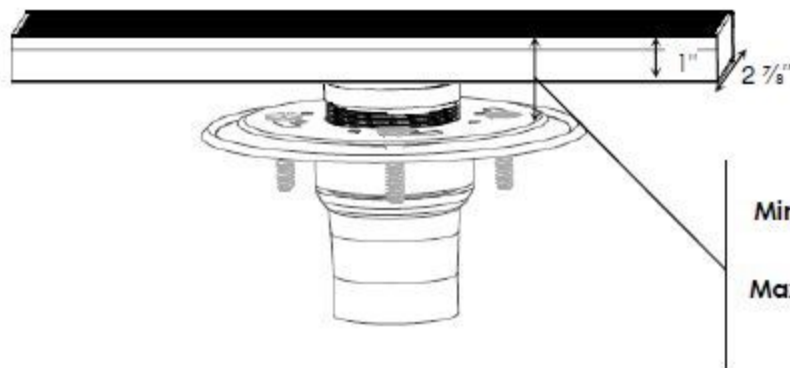


(overall dimensions includes channel)

← Grate available in $31\frac{1}{8}$ ", $35\frac{7}{8}$ ", $47\frac{1}{2}$ " & $59\frac{1}{4}$ " lengths →



Clamp down drain is not supplied by Infinity Drain