



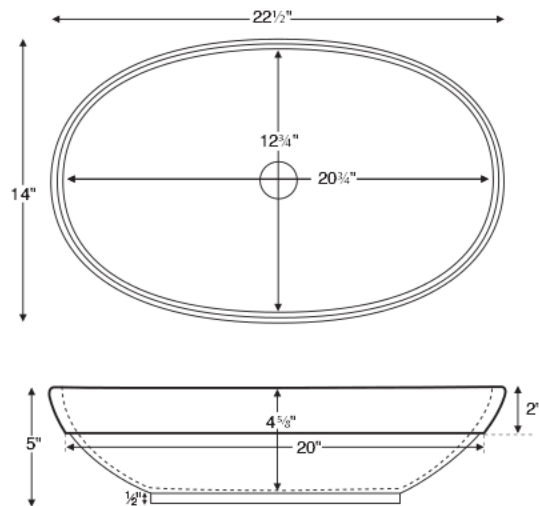
## Alissa SR

Part # - MTCS-717

22.5" x 14" x 2"

**Installation:** semi-recessed or undermount

**Lead Time - 10 Business Days**



### PRICING AND OPTIONS

Part # MTCS-717 \$771

**STANDARD COLORS / FINISH** - White or Biscuit; matte finish

**OPTIONAL COLORS / FINISH** - White or Biscuit; gloss finish **Add \$169**

*Other colors available for projects only. Please call MTI.*

#### OPTIONS

**Quick Ship/Priority.** Call for availability.(QUISINKSH) \$85

### CONSTRUCTION AND STANDARD FEATURES

- Single-bowl design; 1.75" drain opening.
- Sink has no overflow. Requires vessel-style drain kit without overflow. Check local codes.
- Alissa SR is a semi-recessed model, which allows only the top 2" of the sink to rest of the vanity.
- One-piece construction.
- Constructed using MTI's Engineered Solid Stone™ (ESS) material, which is a mixture of ground natural materials and binding agents that are liquefied, poured and then hardened.

- Approximately 60% of the material is organic, including minerals mined from the earth, making it "Green".
- Same material and color all the way through, with minor variations due to use of natural minerals.
- Durable, non-porous material is easy to clean.
- Stain, mold and mildew-resistant.
- 5-year Limited Residential Warranty.
- Shipping weight: 25 lbs.

**NOTES:** SINK IS SEMI-RECESSED AND MUST BE MEASURED ON-SITE TO ENSURE ACCURATE DIMENSIONS OF HOLE CUT-OUT. In addition, a template is supplied with each Alissa semi-recessed sink at no charge to facilitate installation. If template is needed prior to shipment of sink, customer is responsible for actual shipping charges of the template. Measurements are  $\pm 1/2"$  and are subject to change without notice. Data herein supersedes all previous prior to publication date indicated below.