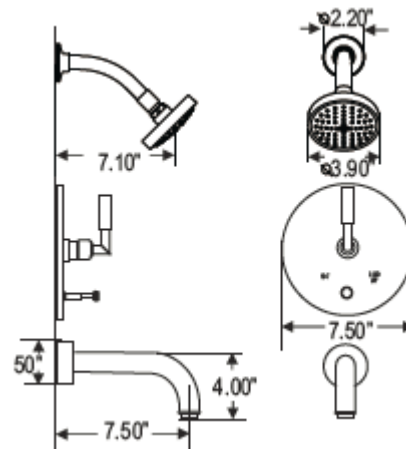




Codes and Standards

- ASME A112.18.1/CSA B125.1-11
- ADA
- IAPMO US AND CANADA



Color/Finishes

- Polished Chrome, PVD Satin Nickel Only

ALTMANS RESERVES THE RIGHT TO MODIFY AND CHANGE SPECIFICATIONS AT ANY TIME. PLEASE VERIFY DIMENSIONS PRIOR TO INSTALLATION

Features and Benefits

- Valve 0S36TPR Ordered Separately
- Includes head, arm, flange, and spout
- Brass Construction
- L3 Handle