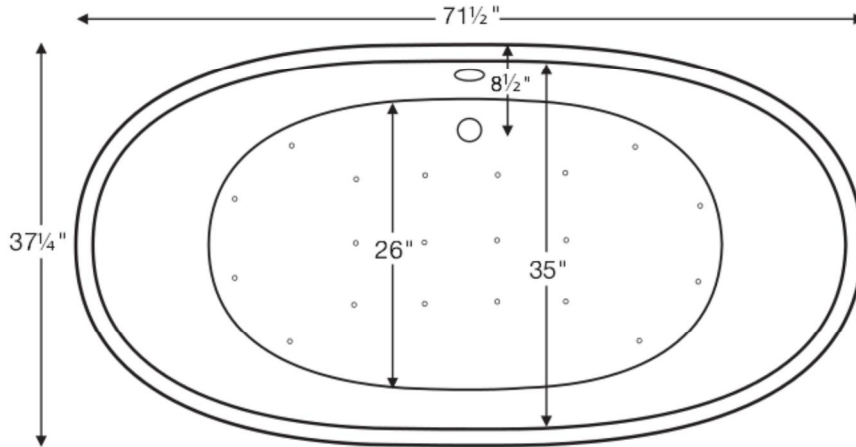


# Alissa 1

71.5" x 37.25" x 21"

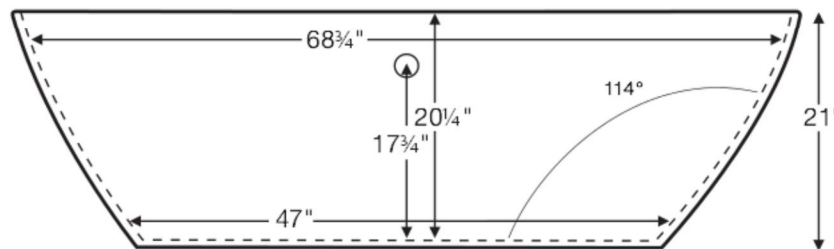
**Installation:**  
Freestanding

*may also be undermounted*

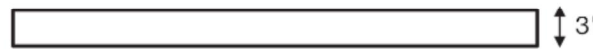


**SEE IMPORTANT ORDERING & INSTALLATION INFORMATION BELOW**

Shown above as an Air Bath.



**IMPORTANT:**  
Pedestal base increases overall tub height by 3".



One-piece pedestal base available in Engineered Solid Stone.

### GENERAL SPECIFICATIONS:

<b>Material</b>	Engineered Solid Stone (ESS)
<b>Soaker Weight</b>	240 lbs / 108 kg
<b>Air Bath Weight</b>	270 lbs / 123 kg
<b>Maximum Fill</b>	102 gal to overflow

NOTE: Filling this tub to the maximum may require an above average size or dedicated water heater.

Not recommended as a tub / shower combination

### ELECTRICAL SPECIFICATIONS:

<b>Required Electrical Service</b>	110 Volt
<b>Air Bath</b>	1-15 amp GFCI

CSA Certified C/US; ANSI Z124.1

### IMPORTANT ORDERING & INSTALLATION INFORMATION:

- Requires partial or complete sub-floor drain installation. See installation manual for important installation information.
- When tub includes a pedestal base, overall height increases by 3".
- Pedestal base for a 'soaker' must be ordered at time of initial tub purchase to ensure proper fit & finish.
- Drain kits, faucet stands, bathroom table and air bath components (if applicable) are packaged inside the tub crate for delivery.
- Optional floor-mounted high-flow tub filler and teak bath tray ship via FedEx.
- For air baths: the blower and required check valve must be remote mounted. Check valve must be installed higher than the rim of the tub. The keypad is shipped loose and may be mounted on a nearby wall or decking. A waterproof remote control is also included.
- Tub is pre-drilled with an overflow, but can be specified without (see local codes).
- Requires use of a wall-mounted or freestanding tub filler.
- Measurements are  $\pm 1/2"$  and are subject to change without notice.
- Data herein supersedes all prior to publication date shown below.

See the "Boutique Collection Tubs Installation & Operation Manual" included with tub delivery or go to [mtibaths.com/support/installation\\_operation/manuals](http://mtibaths.com/support/installation_operation/manuals) for all the information necessary to install and operate the tub.

MTI's Customer Service Department is available Monday-Friday 8am-6pm EST at 800-783-8827 or [customerservice@mtibaths.com](mailto:customerservice@mtibaths.com) to answer any questions pertaining to ordering or installation.