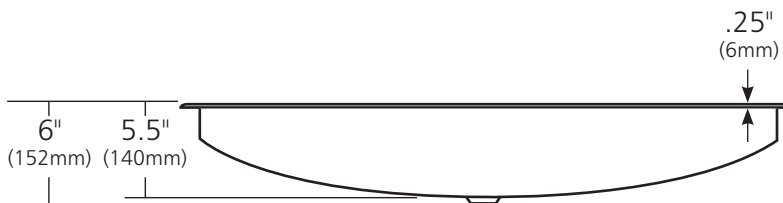
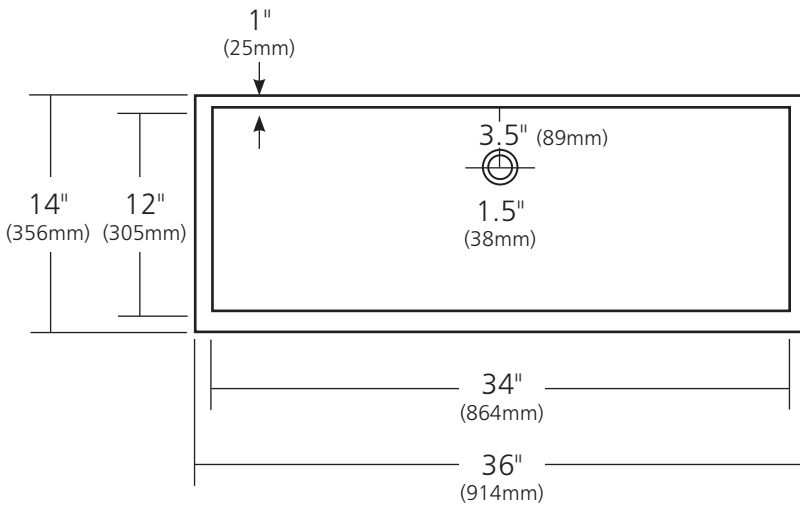


SPECIFICATIONS

TROUGH 36



CPS206 Antique
CPS506 Brushed Nickel

PRODUCT DETAILS

- 36" x 14" x 6" OD (914mm x 356mm x 152mm)
- 34" x 12" x 5.5" ID (864mm x 305mm x 140mm)
- Hand hammered 16 gauge recycled copper
- 1.5" (38mm) drain opening

This product may be customized – see nativetrails.net/customization for details.

INSTALLATION

- Universal Mount (Drop-in or Undermount)

COORDINATING PRODUCTS

- Drains: DR120, DR130, DR150 or DR160

STANDARDS COMPLIANCE

- UPC/cUPC compliant

IMPORTANT

Due to the handcrafted nature of this product, it will vary in finish, texture, hammering, and other details. Dimensions may vary up to 1/2" (13mm). We strongly recommend waiting for the actual product before making any installation cuts.