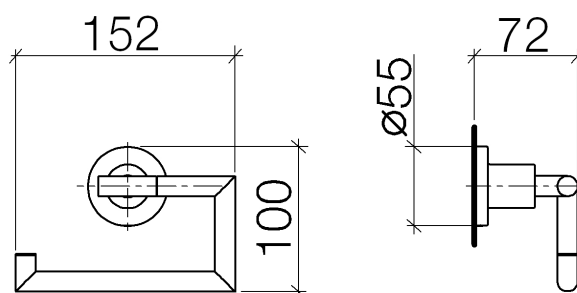




Product specifications

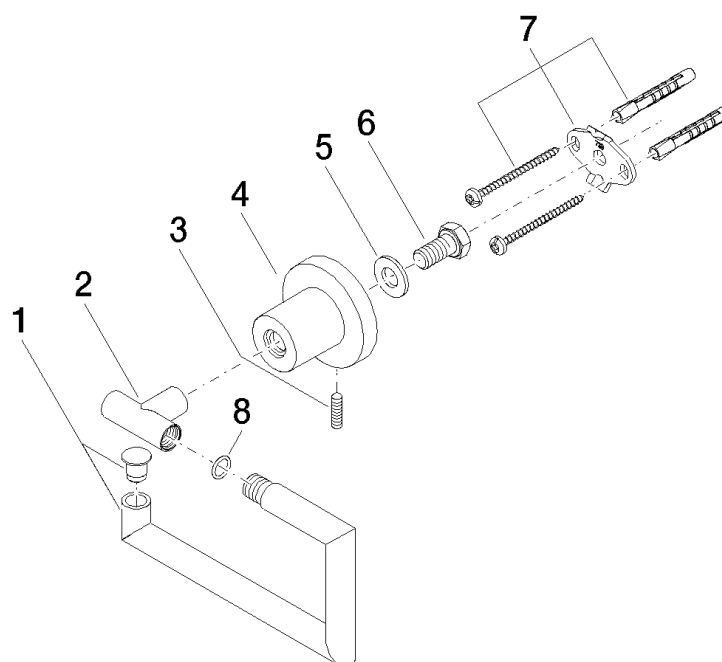
- Height 3 7/8"
- Width 6"
- Flange diameter 2 1/8"
- 2 7/8" projection



Surfaces

- | | |
|-----------------|-------------|
| • chrome | 83500892-00 |
| • chrome | 83500892-00 |
| • matt platinum | 83500892-06 |
| • matt platinum | 83500892-06 |
| • platinum | 83500892-08 |
| • platinum | 83500892-08 |
| • matt white | 83500892-10 |
| • matt white | 83500892-10 |
| • matt black | 83500892-33 |
| • matt black | 83500892-33 |

Exploded assembly drawing



Order quantity

No.	Article number	Name	Installation quantity
1	90282264000ff	holder	1
2	05178955200ff	holder	1
3	09311111390	pin	1
4	081789505ff	holder	1
5	09301104690	disc	1
6	09303007190	screw	1
7	0517207390090	fixing set	1
8	09141004290	seal	1