

**27" ANISE SINGLE  
BOWL FARMER SINK**

Cat. No  
FSSSB2010-SS



W: 27"  
D: 20"  
H: 11"

**\*Please do NOT cut hole without  
template or actual product.**

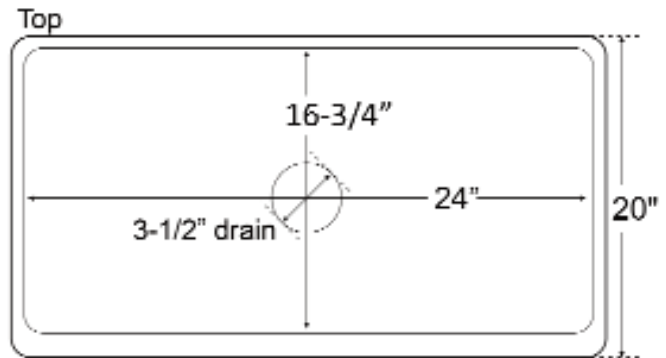
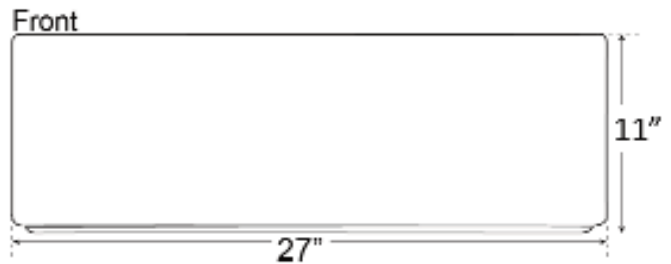
**Interior Dimensions:**

Basin Interior: 24" W x 16-3/4" D  
Basin Depth: 10"

**Features:**

- ▶ Solid 16 gauge, 304 grade metal construction
- ▶ Tight radius corners
- ▶ Easy maintenance with matte finish
- ▶ Mounting clips included
- ▶ Template is included
- ▶ Insulated for sound reduction
- ▶ Angled bowl
- ▶ Rim width is 1-1/2"
- ▶ Drain is 3-1/2"

**Compliance Certification**  
Meets or exceeds the following  
specifications: ASME  
A112.19.3-2001 for Stainless Steel.



Dimensions of fixture are nominal and may vary within the range of tolerances established by ANSI Standard A112.19.2. Dimensions and specifications subject to change without notice.