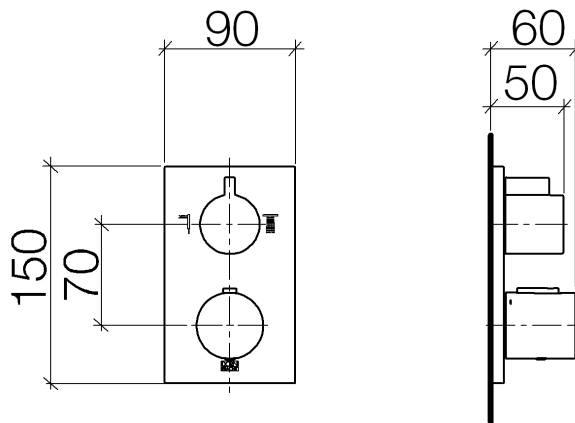


Product specifications

Exposed trim parts only, rough to be ordered separately

- 2x sleeve with adapter, can be cut to length
 - Diverter and volume control with ceramic discs
 - Thermostat cartridge
 - Cover plate 5 7/8" x 3 1/2"
 - Handle with lever
 - 2x mounting nut M 32 x 1
 - **Temperature control handle with safety lock at 38°**
 - max temperature can be set on the trim
- [ADA]



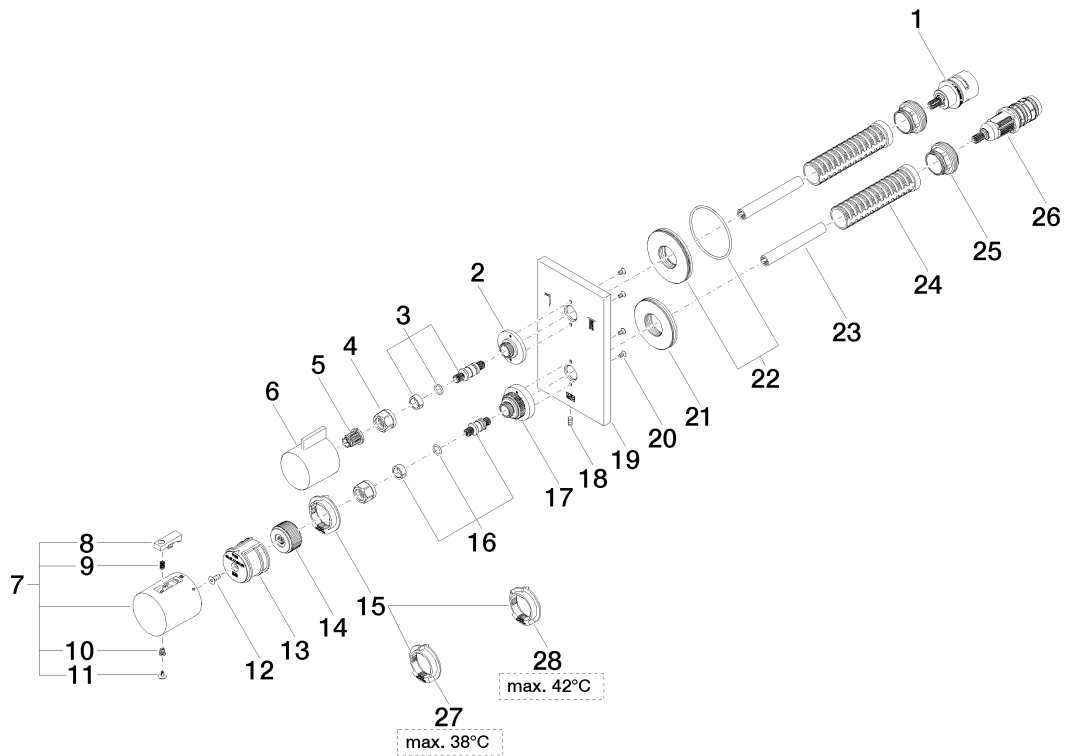
Surfaces

- chrome 36426670-000010
- matt platinum 36426670-060010

Accessories required

- Rough for concealed thermostat with integrated supply stops; 35426970

Exploded assembly drawing



Order quantity

No.	Article number	Name	Installation quantity
1	9090031630090	diverter	1
2	091212053ff	base	1
3	04290611100ff	spindle	1
4	09233002390	nut	2
5	09121200290	fixing cap	1
6	092067006ff	handle	1
7	04173300600ff	handle	1
8	092133010ff	handle	1
9	09160202790	spring	1
10	092033006ff	handle	1
11	093030159ff	screw	1
12	093030160ff	screw	1
13	09303012490	screw	1
14	09121205290	base	1
15	09121205490	base	1
16	09281015290	regulator	1
17	04290602400ff	spindle	1
18	091212051ff	base	1
19	09311113490	pin	1
20	091102263ff	plate	1
21	09303015790	screw	4
22	09300118890	disc	1
23	9030011900090	disc	1
24	09230112490	sleeve	2
25	09184007790	sleeve	2
26	09240425790	nut	2
27	0415020110090	cartridge	1
28	09281015190	regulator	1

