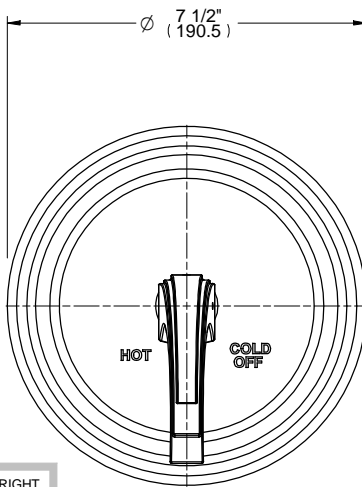
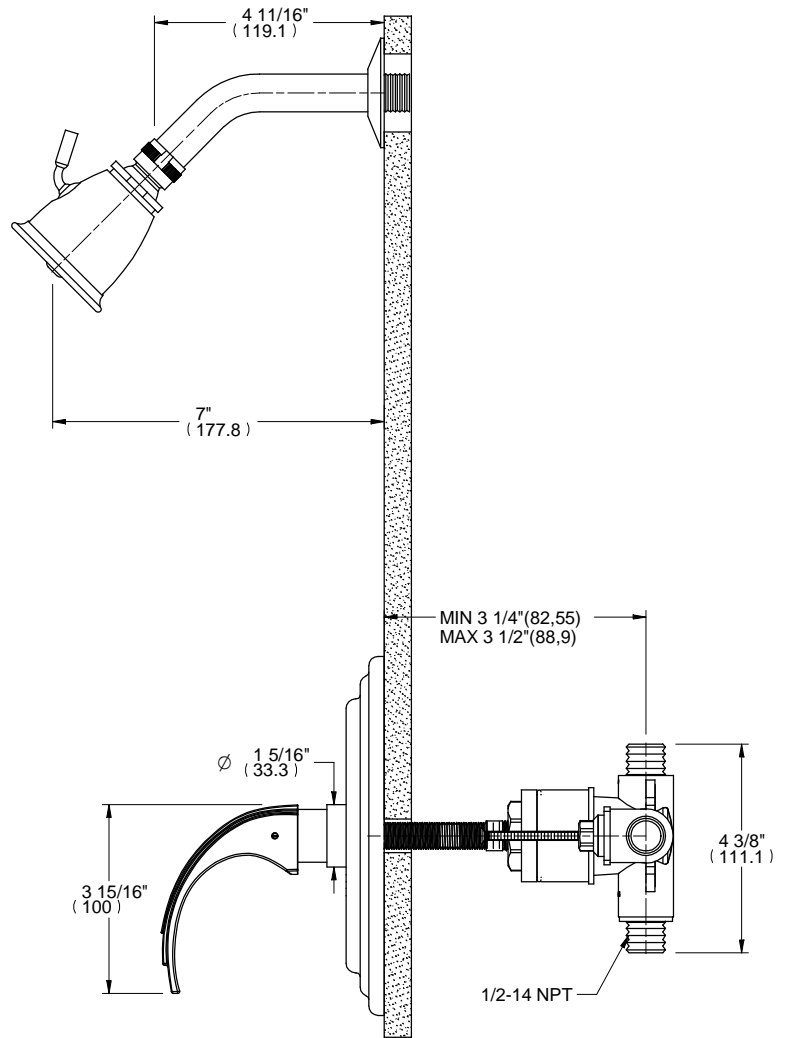
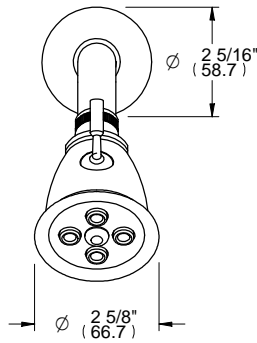




L1



ALTMANS RESERVES THE RIGHT TO MODIFY AND CHANGE SPECIFICATIONS AT ANY TIME. PLEASE VERIFY DIMENSIONS PRIOR TO INSTALLATION.

Features
 Available in All Finishes
 Brass Construction

Through-Hole Specifications

DIMENSIONS SHOWN TO NEAREST 1/16"