



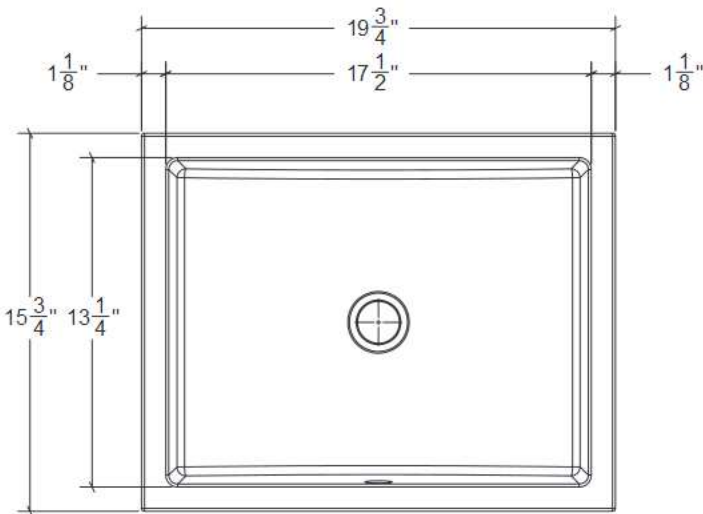
## PS-101

### FEATURES:

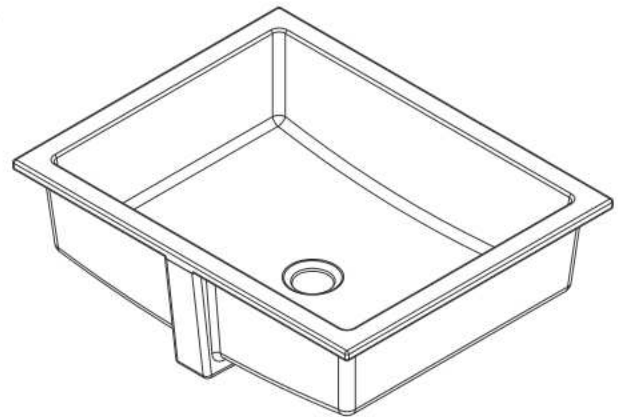
- \* Sink Size: 19 3/4" x 15 3/4" x 6 3/4"
- \* Material: Vitreous China
- \* For Under Counter Use
- \* Recommended Drain: DS-001
- \* For Faucets With Overflow
- \* For Use With Standard Pop Up Drain
- \* Warranty: One Year Limited Warranty
- \* Does Not Include Mounting Clips

### CODES / STANDARDS APPLICABLE

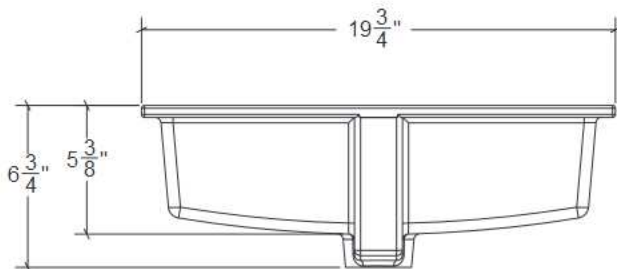
- \* CSA B45
- \* ASMEA112.19.2



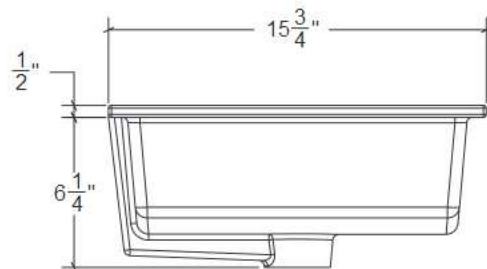
TOP VIEW



3D VIEW



FRONT VIEW



SIDE VIEW

## JOB INFORMATION:

Job Name \_\_\_\_\_  
Date Specified \_\_\_\_\_  
Contractor \_\_\_\_\_

\* Specifications and drawings provided on this sheet are for illustration only. Cantrio Koncepts will not be held responsible for cutouts made without the actual product or product template.