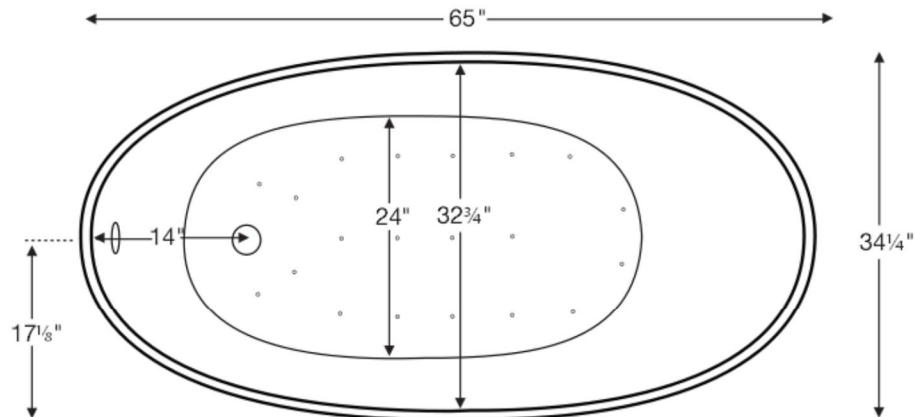


Savoy

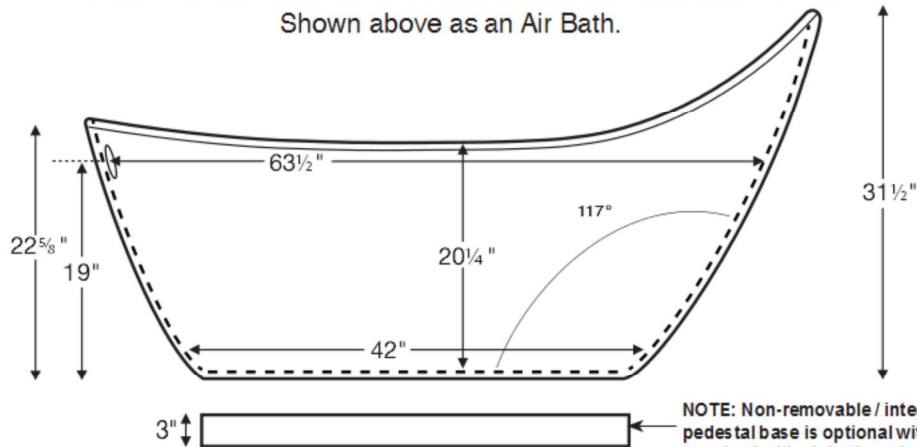
65" x 34.25" x 31.5"

Installation:
Freestanding

cannot be undermounted



SEE IMPORTANT ORDERING & INSTALLATION INFORMATION BELOW
Shown above as an Air Bath.



IMPORTANT:
Pedestal base increases overall tub height by 3".

GENERAL SPECIFICATIONS:

| | |
|------------------------|------------------------------|
| Material | Engineered Solid Stone (ESS) |
| Soaker Weight | 214 lbs / 96 kg |
| Air Bath Weight | 244 lbs / 111 kg |
| Maximum Fill | 98 gal to overflow |

NOTE: Filling this tub to the maximum may require an above average size or dedicated water heater.
Not recommended as a tub / shower combination

ELECTRICAL SPECIFICATIONS:

| | |
|------------------------------------|---------------|
| Required Electrical Service | 110 Volt |
| Air Bath | 1-15 amp GFCI |

CSA Certified C/US; ANSI Z124.1

IMPORTANT ORDERING & INSTALLATION INFORMATION:

- Requires partial or complete sub-floor drain installation. See installation manual for important installation information.
- Drain kits, faucet stands, bathroom table and air bath components (if applicable) are packaged inside the tub crate for delivery.
- Optional floor-mounted high-flow tub filler and teak bath tray ship via FedEx.
- For air baths: the blower and required check valve must be remote mounted. Check valve must be installed higher than the rim of the tub. The keypad is shipped loose and may be mounted on a nearby wall or decking. A waterproof remote control is also included.
- Tub is pre-drilled with an overflow, but can be specified without (see local codes).
- Requires use of a wall-mounted or freestanding tub filler.
- Non-removable / integrated pedestal base is optional with soaker; standard with air bath package. Increases overall tub height by 3".
- Faucet stand is currently only available for a 'soaker' without a pedestal base.
- Measurements are $\pm 1/2"$ and are subject to change without notice.
- Data herein supersedes all prior to publication date shown below.

See the "Boutique Collection Tubs Installation & Operation Manual" included with tub delivery or go to mtibaths.com/support/installation_operation/manuals for all the information necessary to install and operate the tub.

MTI's Customer Service Department is available Monday-Friday 8am-6pm EST at 800-783-8827 or customerservice@mtibaths.com to answer any questions pertaining to ordering or installation.

