

Date: _____

Client: _____

Project: _____

VOLA product: 4321



4321

Build-in basin tap with on-off sensor for 'hands free' operation. For vertical mounting. Sensor aligned with wall.

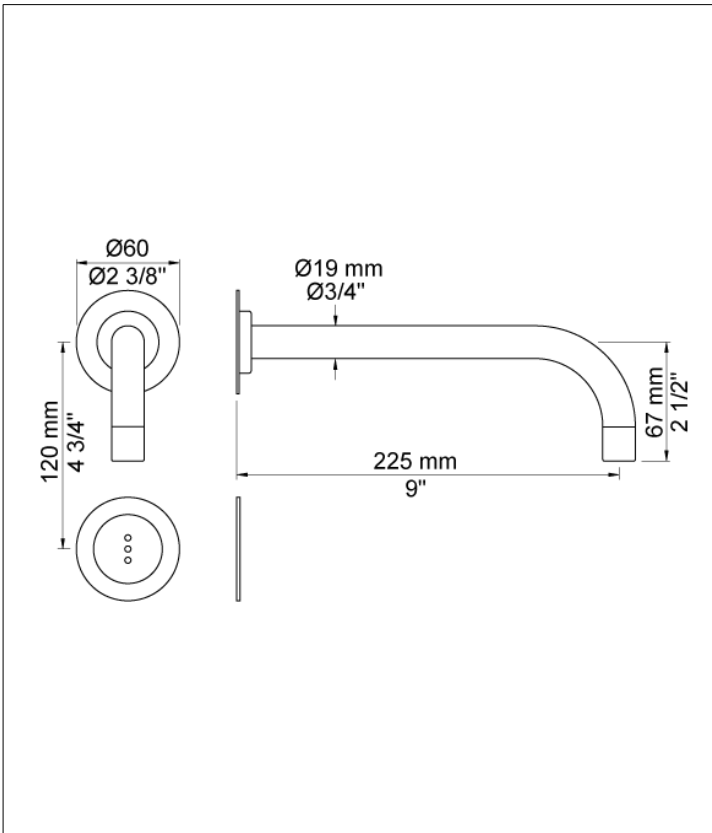
Valve box VR2617 included.

4321UP = Valve 4300, sensor cable VR509.

4321AP = 225 mm spout 020, sensor VR510V, 60 mm circular flanges 001, VR512.

Flow

| | Psi: | 14,5 | 29,0 | 43,5 | 58,0 | 72,5 |
|------|-----------|------|------|------|------|------|
| 4321 | (gal/min) | 1,3 | 1,3 | 1,3 | 1,3 | 1,3 |



Available in colours

- Color 02, Grey
- Color 04, Light blue
- Color 05, Orange
- Color 06, Light green
- Color 08, Yellow
- Color 09, Dark grey
- Color 12, Mocca
- Color 14, Bright red
- Color 15, Dark blue
- Color 16, Polished chrome
- Color 17, Gloss black
- Color 18, White
- Color 19, Natural brass
- Color 20, Brushed chrome
- Color 21, Carmine red
- Color 25, Pink
- Color 27, Matt black
- Color 40, Brushed stainless steel

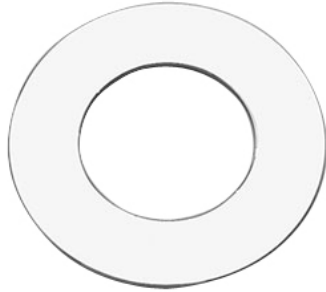


Date:

Client:

Project:

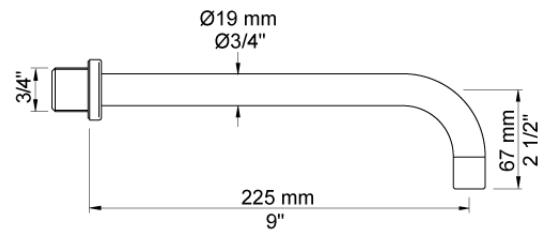
VOLA product: 4321



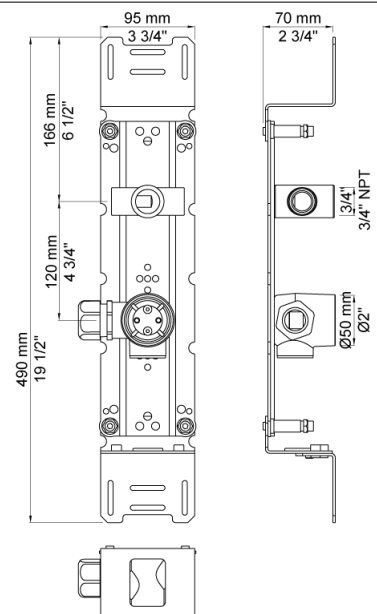
001
60 mm circular flange.
Hole Ø33 mm.



020
225 mm fixed spout with water saving aerator.



4300
Build-in valve with on-off sensor for 'hands free' operation.
Valve box for electronic mixer, VR2617 enclosed.

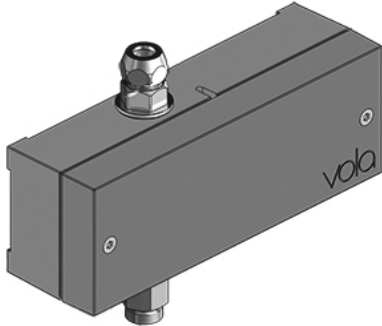


Date:

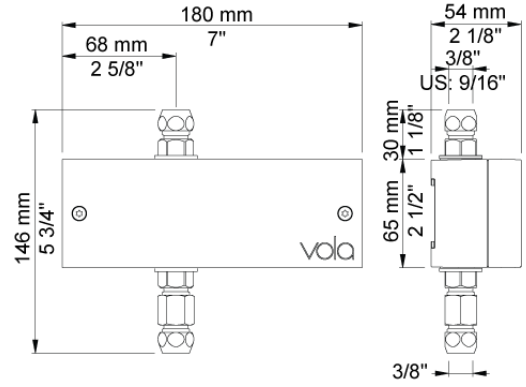
Client:

Project:

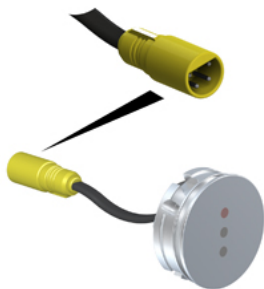
VOLA product: 4321



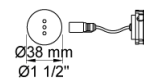
VR2617
Valve box for electronic RB1E/4000/4300/4800



VR509



VR510V
[no product text]

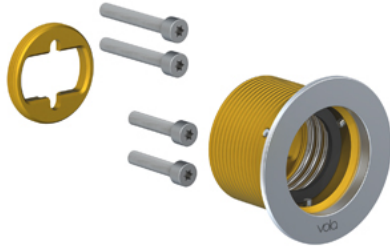


Date:

Client:

Project:

VOLA product: 4321



VR512
[no product text]

