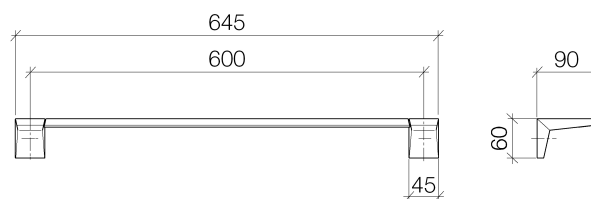




Product specifications

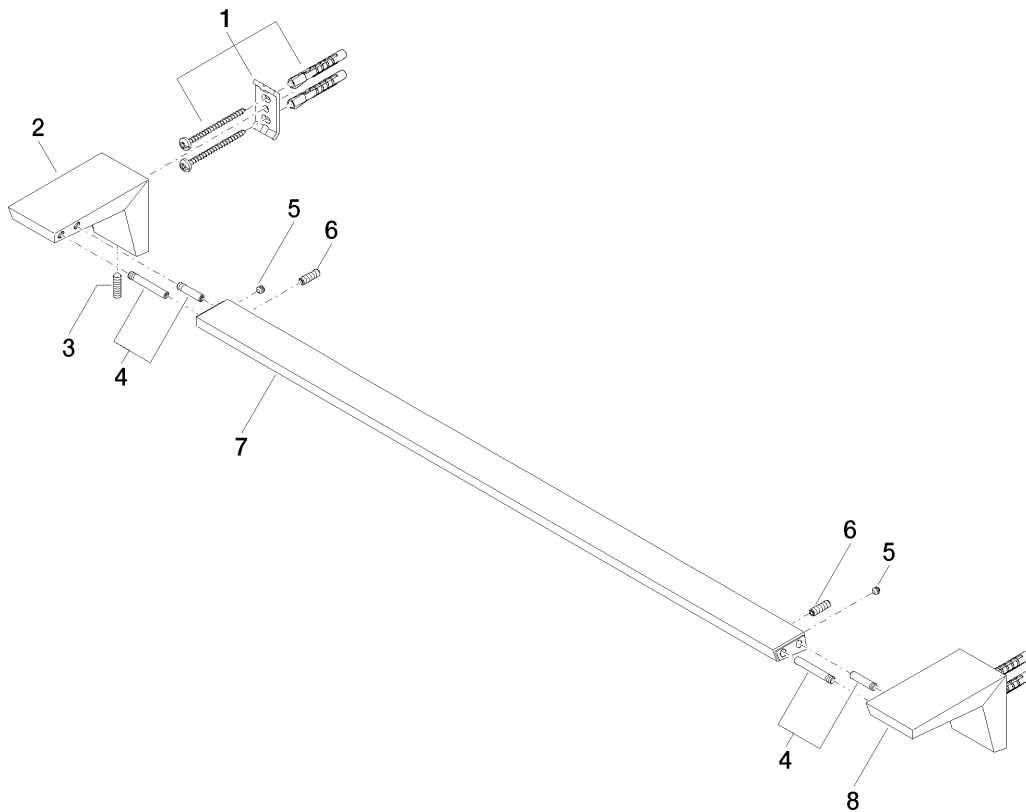
- Height 2 3/8"
- Center to center 23 5/8"
- 3 1/2" projection



Surfaces

- | | |
|-------------|-------------|
| • chrome | 83060730-00 |
| • chrome | 83060730-00 |
| • champagne | 83060730-47 |
| • champagne | 83060730-47 |

Exploded assembly drawing



Order quantity

No.	Article number	Name	Installation quantity
1	0517207360090	fixing set	2
2	081773500ff	holder	1
3	09311111390	pin	2
4	9031112020090	pin	2
5	09311106390	pin	2
6	09311101390	pin	2
7	081773551ff	holder	1
8	081773501ff	holder	1