

**HARRISON  
61" CAST IRON  
SLIPPER TUB**

Cat. No.  
CTS7H61I



L: 61"  
W: 30"  
H: 21 1/2" - 29 1/4" (from floor to top of tub)

Depth: 17" at drain  
Water depth: 13 1/2" to overflow  
Overflow hole: 1 1/2"

**The following is recommended for CTS7H61I tubs:**

- Rim-mounted faucet: part #4601 or 7529
- Straight bath supplies: part #5577
- Leg tub drain: part #5599
- Complete shower unit: Part #4063

Gallon Capacity:	45
Shipping Weight:	465 lbs.
Empty Weight:	285 lbs.
Filled Weight:	661 lbs.

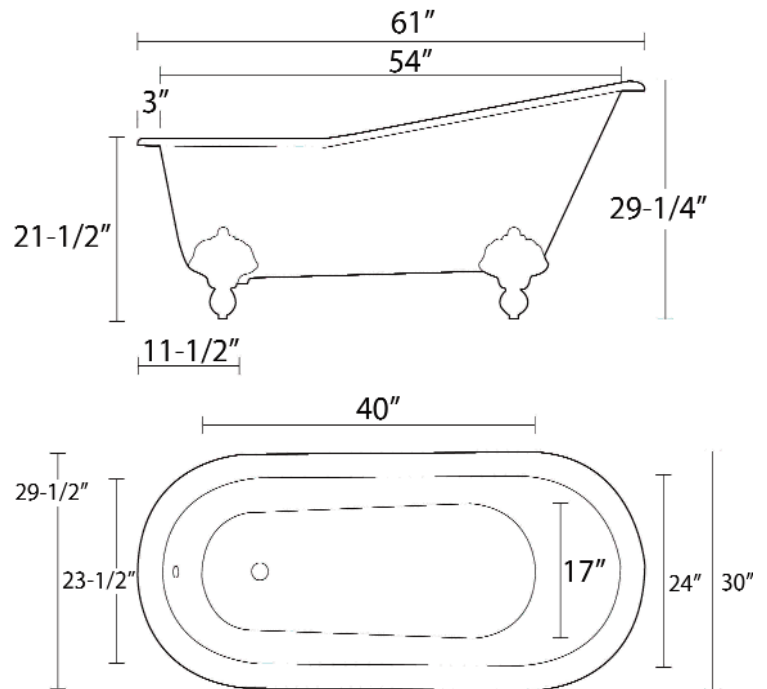
**Features:**

- ▶ Inside finish is white enamel
- ▶ Imperial feet available in 5 finishes
- ▶ Tub exterior is white (epoxy)
- ▶ 7" centers at drain end
- ▶ Feet are attached and leveled before shipment
- ▶ Tub is thoroughly inspected before shipment

**Foot Finishes:**

<b>BP</b> Polished Brass	<b>SN</b> Brushed Nickel
<b>CP</b> Polished Chrome	<b>WH</b> White
<b>ORB</b> Oil-rubbed Bronze	

**Extra Paint Charge** (inside of tub is always white enamel):  
**Bisque Paint** - \$160                      **Black Paint** - \$160  
 Bathtubs painted in bisque or black are considered "special order" and are not returnable.



Dimensions of fixture are nominal and may vary within the range of tolerances established by ANSI Standard A112.19.2. Dimensions and specifications subject to change without notice.