

**SPECIFICATIONS**

*Series 100/500*

**3 Port In-Wall Diverter**

**Valve & Trim**

**1.002289**

**Verona Handle**

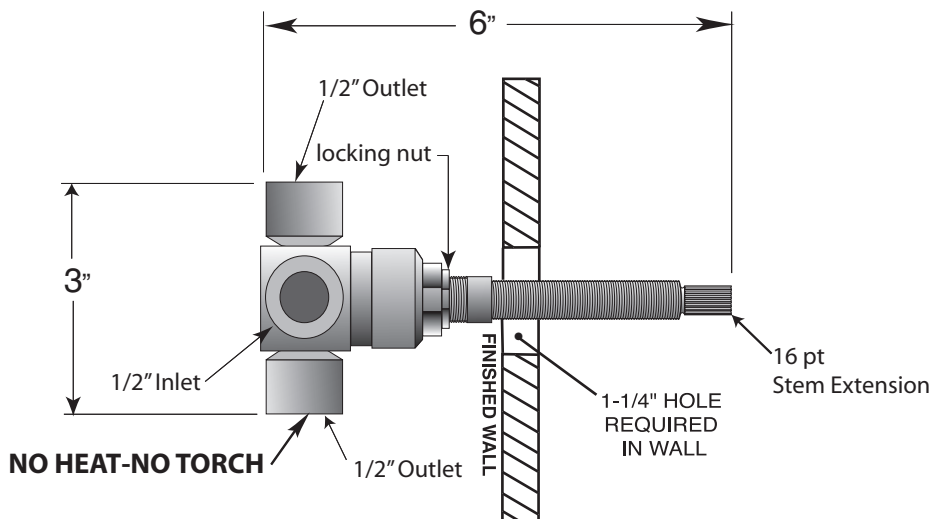
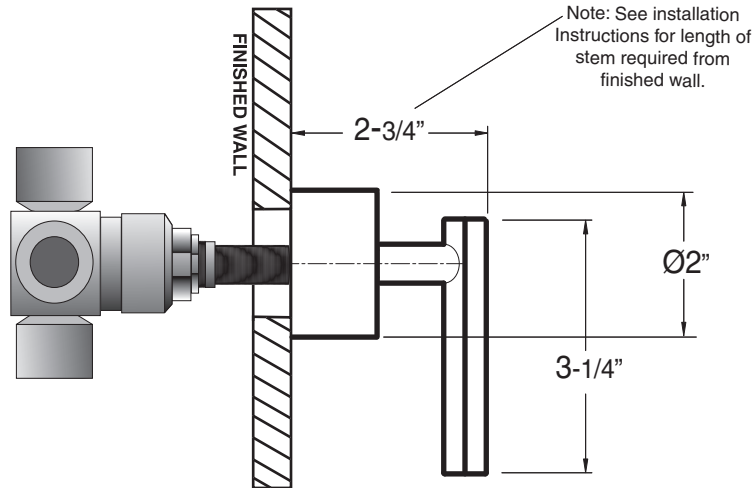
**(1.002289T Trim Only)**

**FEATURES:**

This product meets and exceeds the following codes and standards:

ASME A112.18.1-2005/CSAB125.1-2005

- Replacement Cartridge: No. 18.30.012
- One 1/2" inlet & two 1/2" outlets



Note: Measurements are subject to change or cancellation. No responsibility is assumed for use of superseded or voided pages.