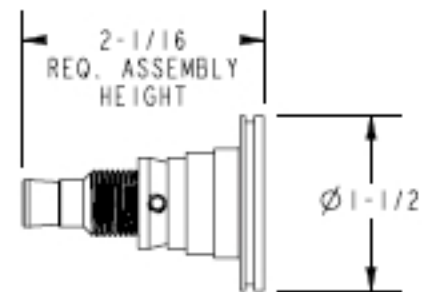
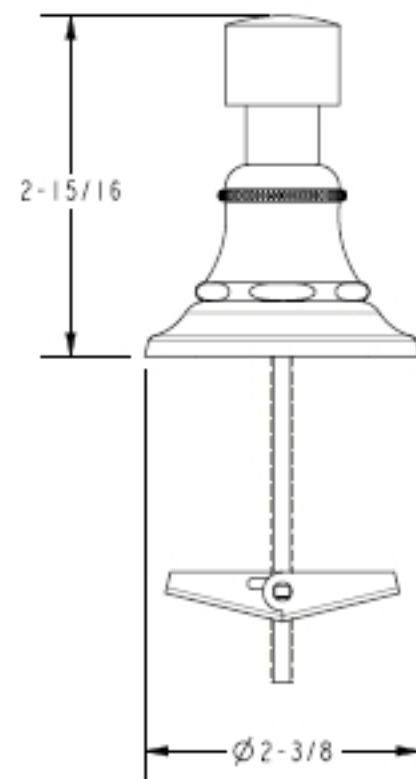
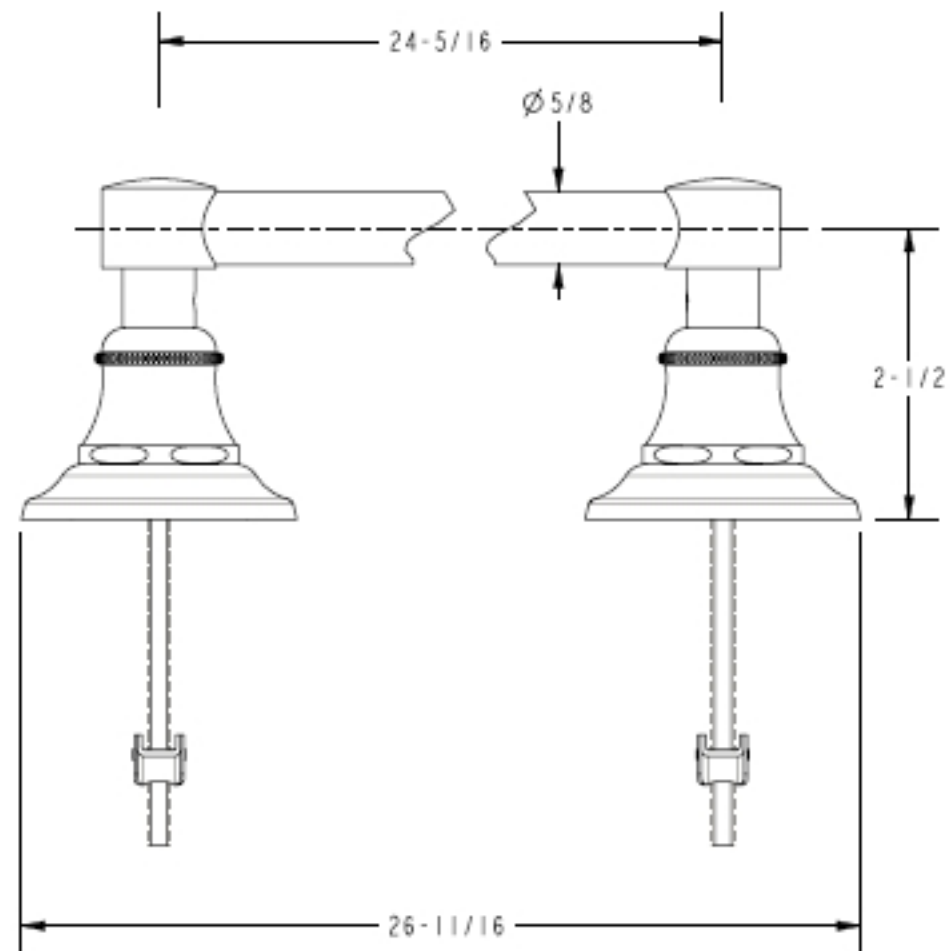


SPECIFICATION DWG



SCALE 0.500