



1/2" coaxial thermostatic 2 ways system
with spout and hand shower rail

KIT#1223ATXX



Specifications

Composition

- 6006 - Hand shower rail
- 747 - Elbow supply
- AT23 - ½" 2 way thermostatic coaxial valve with service stops
- ATOP80 - Wall tub spout

Available colors

- C : Chrome
- BN : Brushed nickel (PVD)

Certifications

- CSA B125.1
- ASME A112.18.1
- ASSE 1016

Sizes, models and finishes may differ from those presented.

Warranty

The Riobel inc. product carries a limited LIFETIME warranty on the finish Chrome, Gold (PVD), Brushed nickel (PVD), Night brushed (PVD), Polished nickel (PVD) and all working parts and is guaranteed from the initial date of purchase against all manufacturing defects. Other finished 1 year.

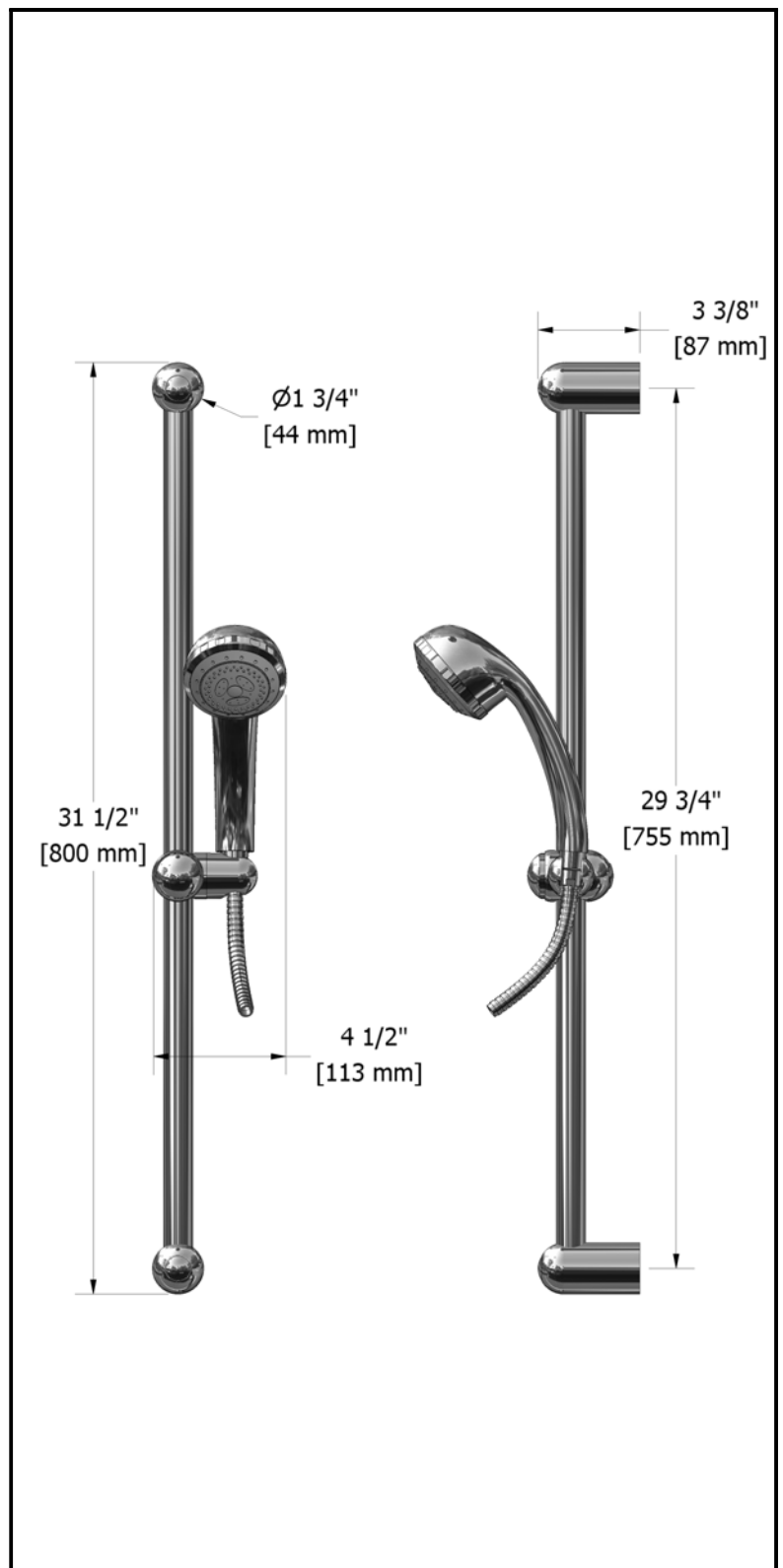
Customer service

Ontario, West Canada : 888-287-5354 Quebec, Maritimes, United States : 866-473-8442



Hand shower rail

6006XX



Specifications

Descriptions

- 06, 3 jet hand shower
- 150 cm (59") double interlock flexible hose and swivel
- \varnothing 25 mm (1") slide bar

Available colors

- C : Chrome
- BN : Brushed nickel (PVD)

Flows

- Flow 9.5 L/min, 2.5 gpm (US) 60psi

Certifications

- CSA B125.1
- ASME A112.18.1
- CMR248 Approval



Sizes, models and finishes may differ from those presented.

Warranty

The Riobel inc. product carries a limited LIFETIME warranty on the finish Chrome, Gold (PVD), Brushed nickel (PVD), Night brushed (PVD), Polished nickel (PVD) and all working parts and is guaranteed from the initial date of purchase against all manufacturing defects. Other finished 1 year.

Customer service

Ontario, West Canada : 888-287-5354 Quebec, Maritimes, United States : 866-473-8442



Elbow supply
747XX

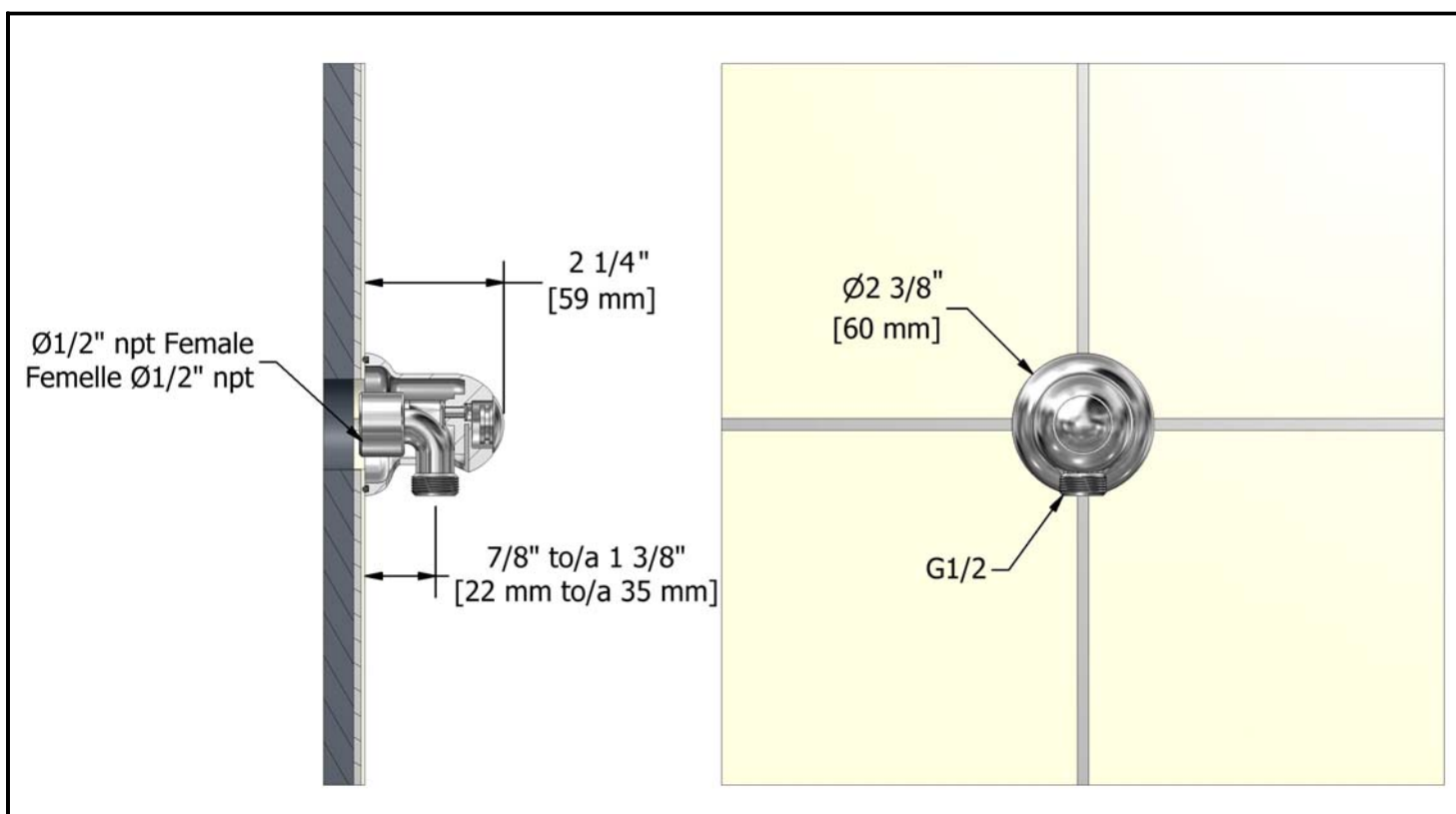
Specifications

Descriptions

- ½" female inlet NPT
- ½" male outlet
- Depth adjustable

Available colors

- C : Chrome
- PN : Polished nickel (PVD)
- BN : Brushed nickel (PVD)



Sizes, models and finishes may differ from those presented.

Warranty

The Riobel inc. product carries a limited LIFETIME warranty on the finish Chrome, Gold (PVD), Brushed nickel (PVD), Night brushed (PVD), Polished nickel (PVD) and all working parts and is guaranteed from the initial date of purchase against all manufacturing defects. Other finished 1 year.

Customer service

Ontario, West Canada : 888-287-5354 Quebec, Maritimes, United States : 866-473-8442



½" 2 way thermostatic coaxial valve with service stops

AT23XX



Specifications

Descriptions

- ½" male inlet NPT or sweat
- 2 outlets ½" males NPT or sweat
- Coaxial thermostatic cartridge with check valves
- Service stops
- Solid brass
- 4 positions (OFF, 1, 2, 1 and 2)

Available colors

- C : Chrome
- PN : Polished nickel (PVD)
- BN : Brushed nickel (PVD)

Flows

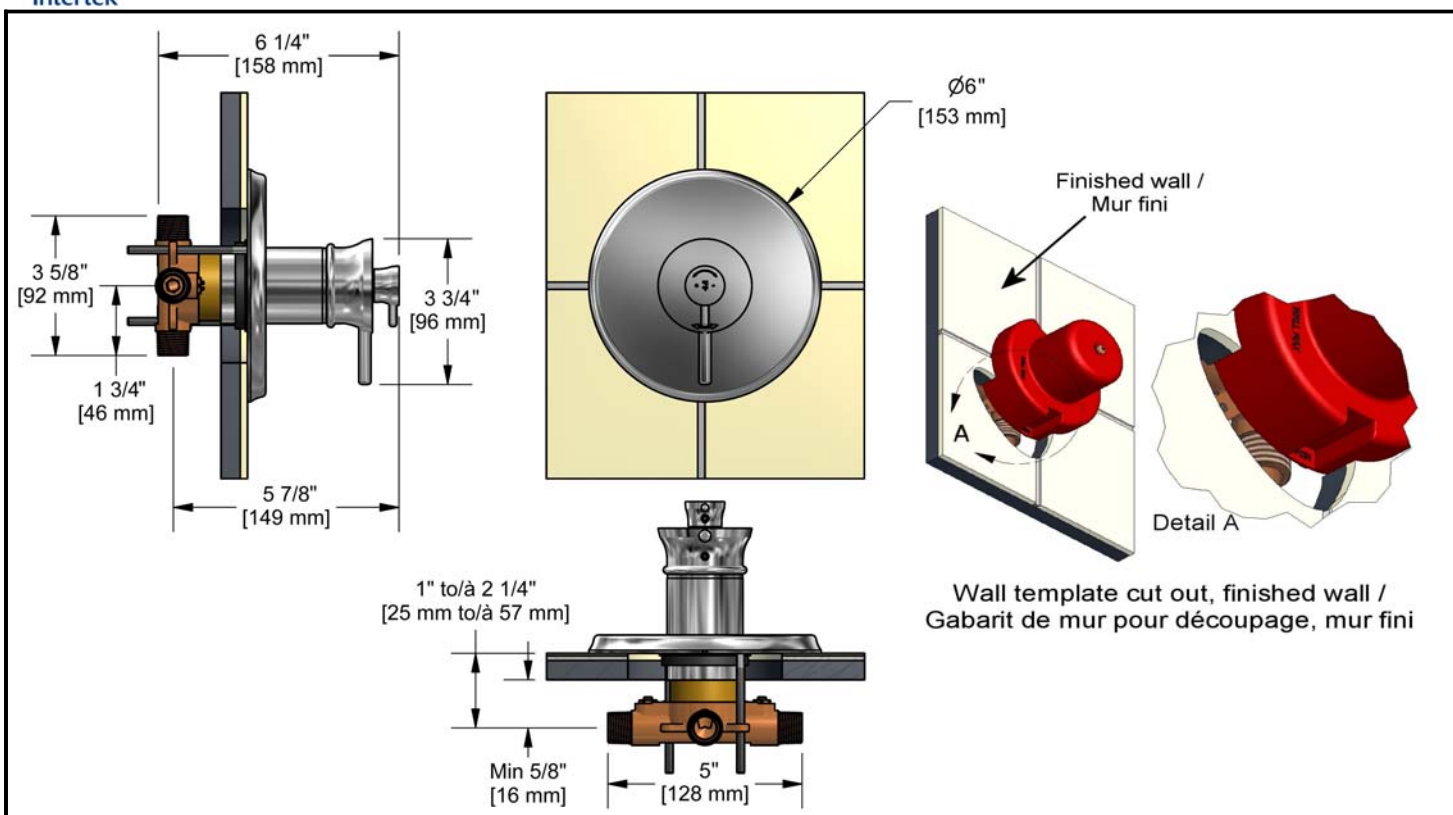
- Flow 30 L/min, 7.9 gpm (US) 60psi
- For use with shower heads rated at 7L/min (1.8 gpm) or higher

Cartridges

- 401-323

Certifications

- ASME A112.18.1
- CSA B125.1
- ASSE 1016



Sizes, models and finishes may differ from those presented.

Warranty

The Riobel inc. product carries a limited LIFETIME warranty on the finish Chrome, Gold (PVD), Brushed nickel (PVD), Night brushed (PVD), Polished nickel (PVD) and all working parts and is guaranteed from the initial date of purchase against all manufacturing defects. Other finished 1 year.

Customer service

Ontario, West Canada : 888-287-5354 Quebec, Maritimes, United States : 866-473-8442



Wall tub spout
ATOP80XX

Specifications

Descriptions

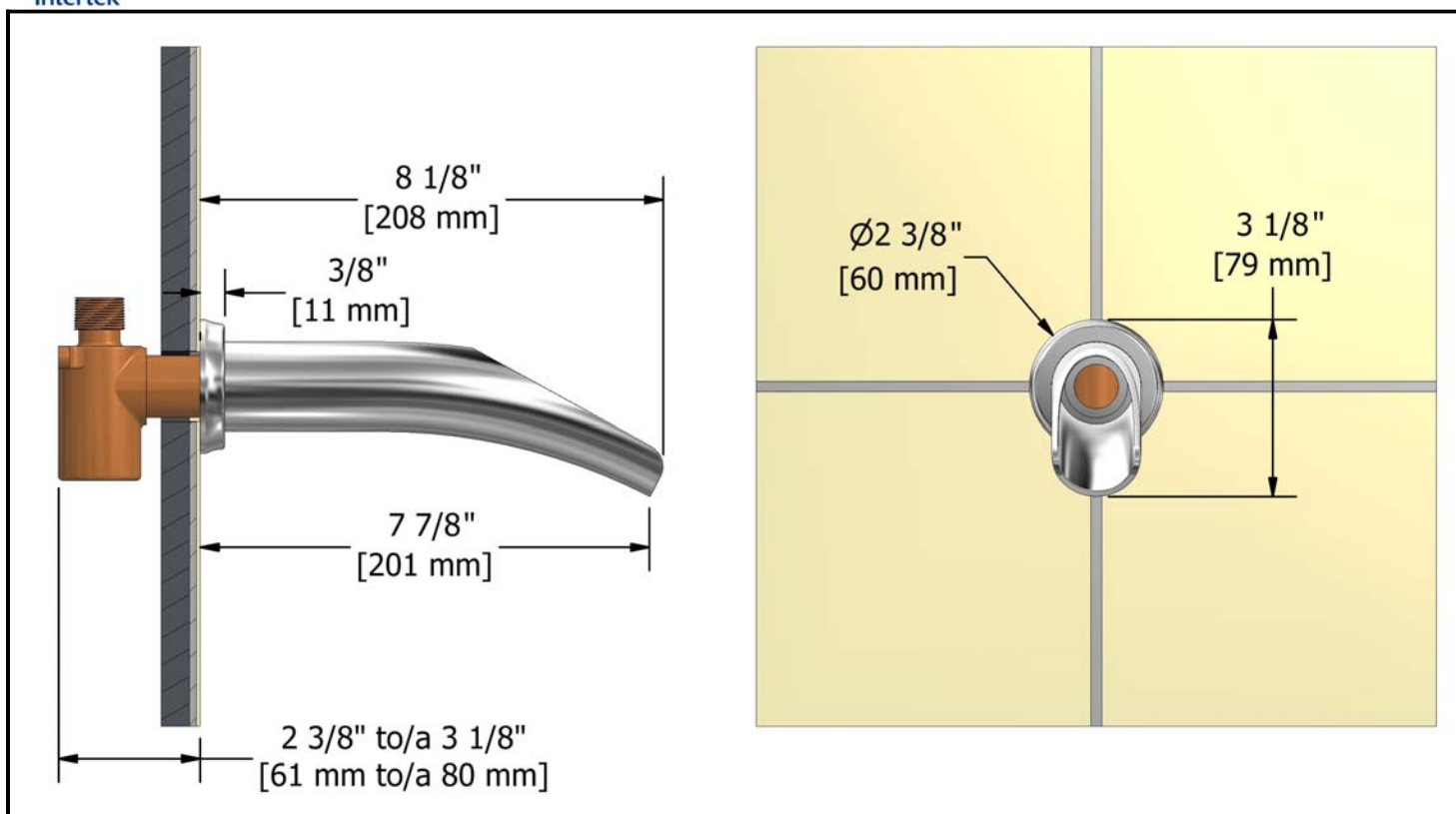
- ½" male inlet NPT
- Solid brass
- Open spout
- Special rough included

Available colors

- C : Chrome
- PN : Polished nickel (PVD)
- BN : Brushed nickel (PVD)

Certifications

- CSA B125.1
- ASME A112.18.1



Sizes, models and finishes may differ from those presented.

Warranty

The Riobel inc. product carries a limited LIFETIME warranty on the finish Chrome, Gold (PVD), Brushed nickel (PVD), Night brushed (PVD), Polished nickel (PVD) and all working parts and is guaranteed from the initial date of purchase against all manufacturing defects. Other finished 1 year.

Customer service

Ontario, West Canada : 888-287-5354 Quebec, Maritimes, United States : 866-473-8442