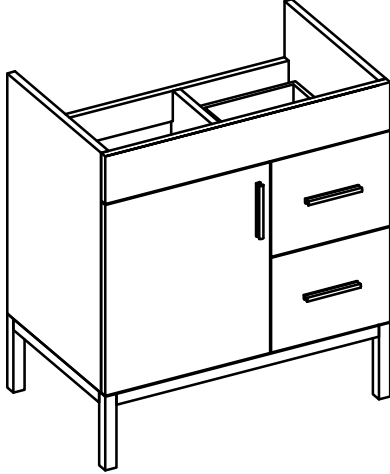


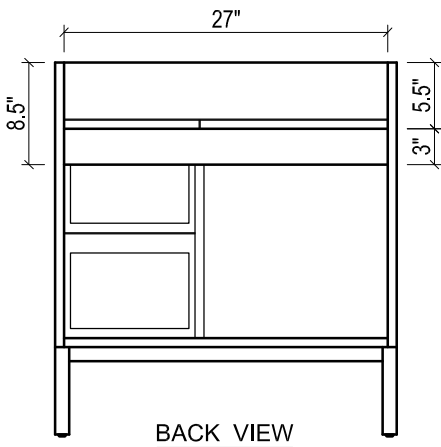
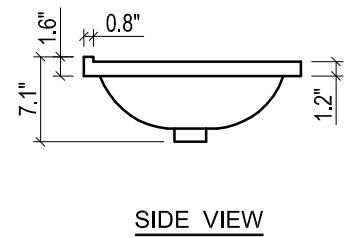
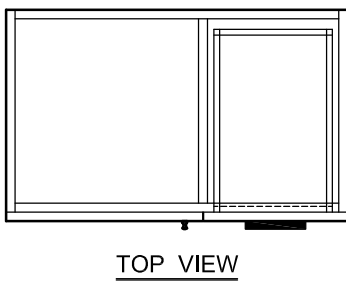
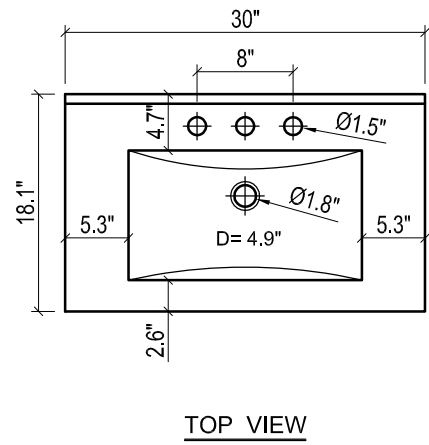
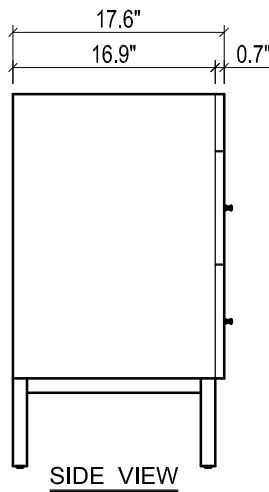
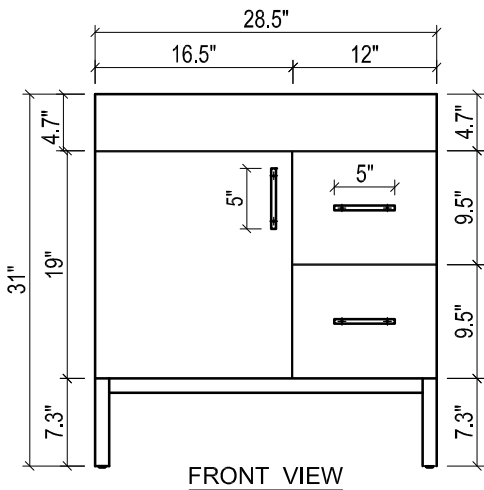
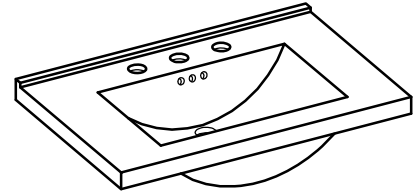
DAYTONA FOR KIRA

- WALL HUNG option is also available for this model.
Vanity height without legs is 23.7".
- Quality metal BLUM (or BLUM equivalent) soft-closing hinges and/or drawer hardware are included.
- Drawers can be placed on Right or Left sides.



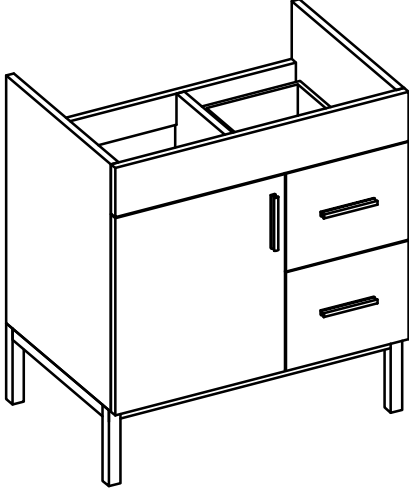
KIRA CERAMIC SINK

(available in 1 hole or 8" faucet drills)

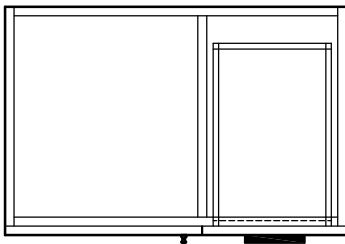
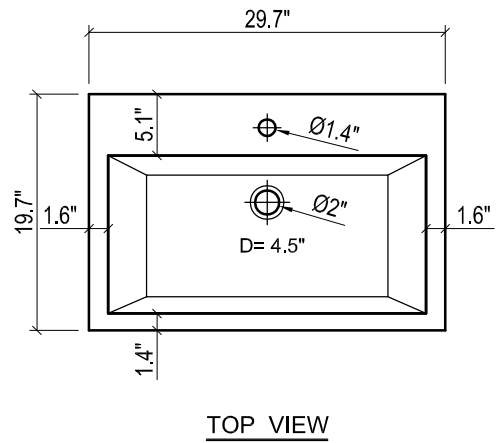
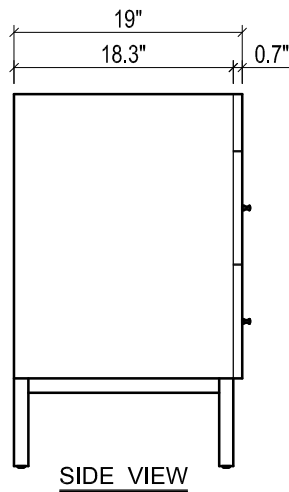
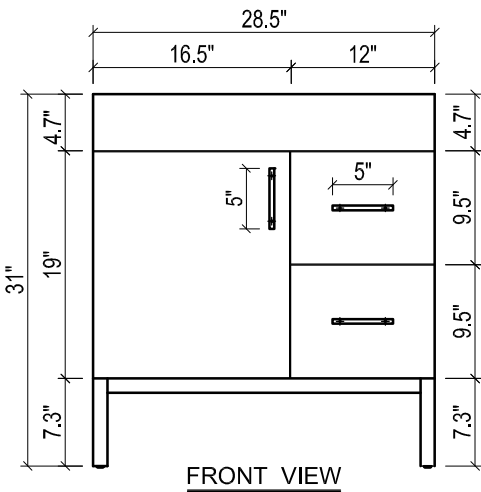
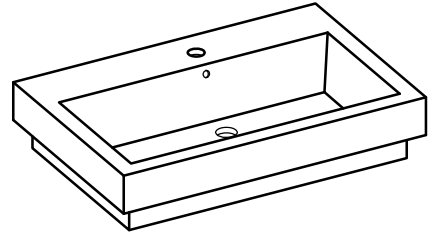


DAYTONA FOR MILANO

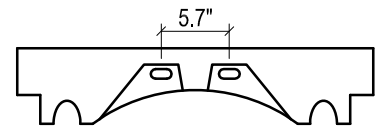
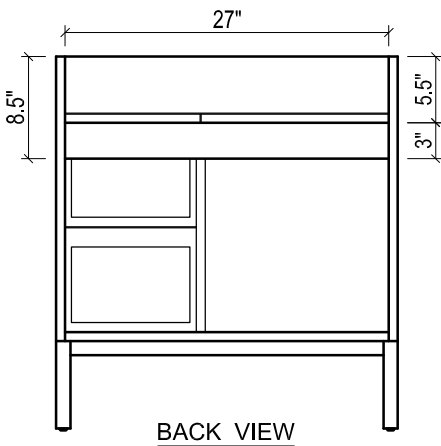
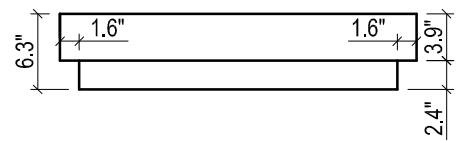
- WALL HUNG option is also available for this model.
Vanity height without legs is 23.7".
- Quality metal BLUM (or BLUM equivalent) soft-closing hinges and/or drawer hardware are included.
- Drawers can be placed on Right or Left sides.



MILANO CERAMIC SINK

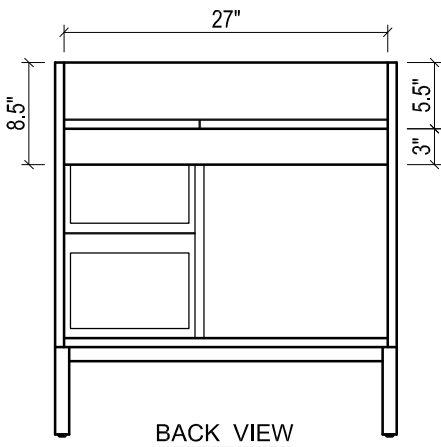
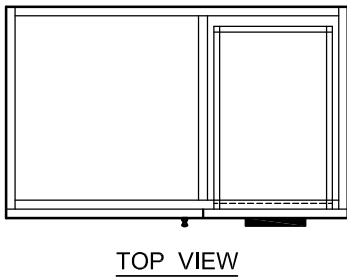
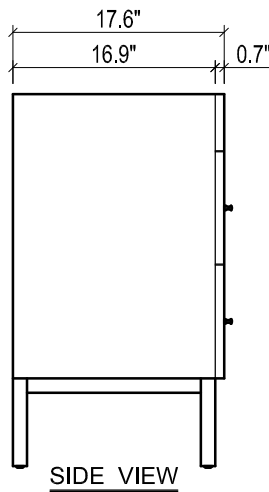
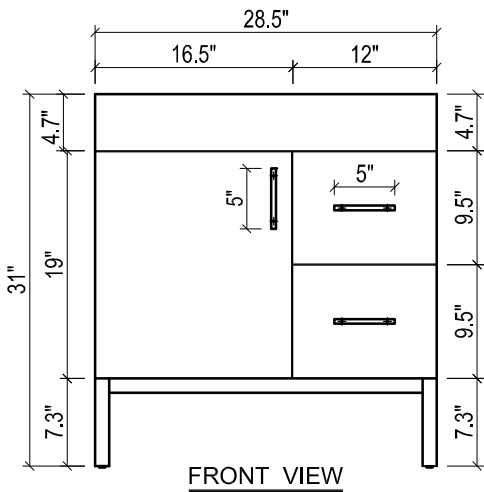
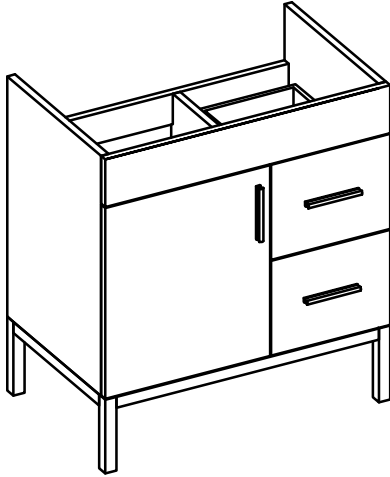


TOP VIEW



DAYTONA FOR VENICE

- WALL HUNG option is also available for this model.
Vanity height without legs is 23.7".
- Quality metal BLUM (or BLUM equivalent) soft-closing hinges and/or drawer hardware are included.
- Drawers can be placed on Right or Left sides.



VENICE CERAMIC SINK

