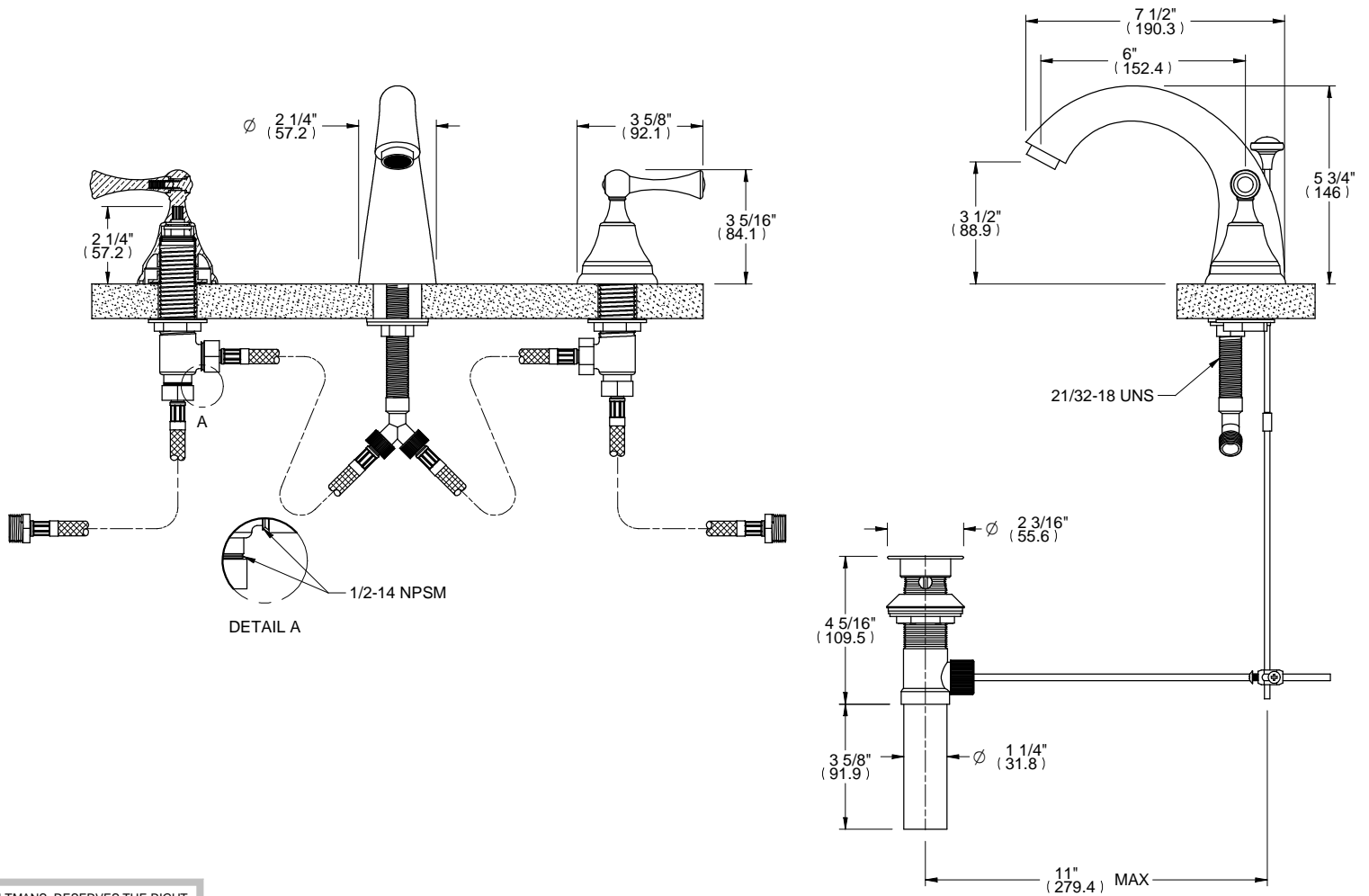


L1



ALTMANS RESERVES THE RIGHT TO MODIFY AND CHANGE SPECIFICATIONS AT ANY TIME. PLEASE VERIFY DIMENSIONS PRIOR TO INSTALLATION.

### Features

Available in All Finishes  
Low Lead Brass Construction  
1/4 Turn Ceramic Disc Cartridge

### Through-Hole Specifications

Spout:  $\varnothing 1\frac{1}{4}"$  Max.  
Valve:  $\varnothing 1\frac{1}{4}"$  Max.

DIMENSIONS SHOWN TO NEAREST 1/16"