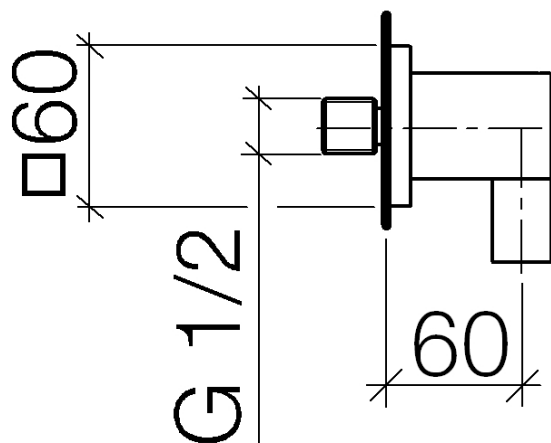




Product specifications

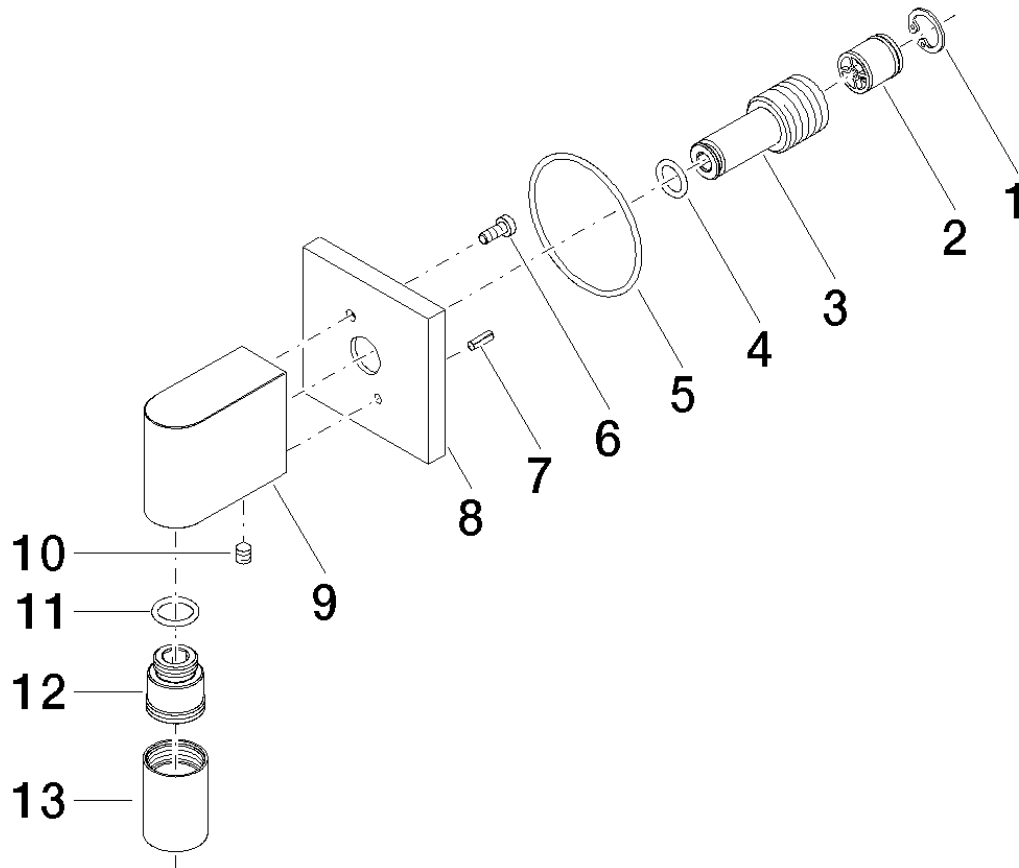
- 3/8" shower hose connection with back flow preventer
 - Flange 2 3/8 x 2 3/8"
- For combination with 26 402 980-FF and 26 403 980-FF
Internal backflow preventer.



Surfaces

- chrome 28450980-00
- matt platinum 28450980-06

Exploded assembly drawing



Order quantity

No.	Article number	Name	Installation quantity
1	09160101490	ring	1
2	09230104090	back-flow preventer	1
3	09240311690	nipple	1
4	09141000890	seal	1
5	09141004690	seal	1
6	09303005490	screw	1
7	09311102690	pin	1
8	092782006ff	rosette	1
9	091103026ff	connection	1
10	09311100490	pin	1
11	09141007790	seal	1
12	09240310790	nipple	1
13	092102069ff	cover	1