

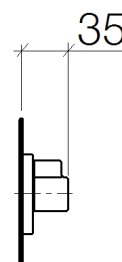
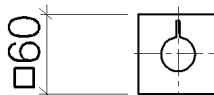


Product specifications

Exposed trim parts only, rough to be ordered separately

- 1/2" ceramic disc cartridge
- 2 3/8" x 2 3/8" flange

NOTE: Important! Due to minimum rough-in requirements, a framing of 2 x 6 studs is needed.



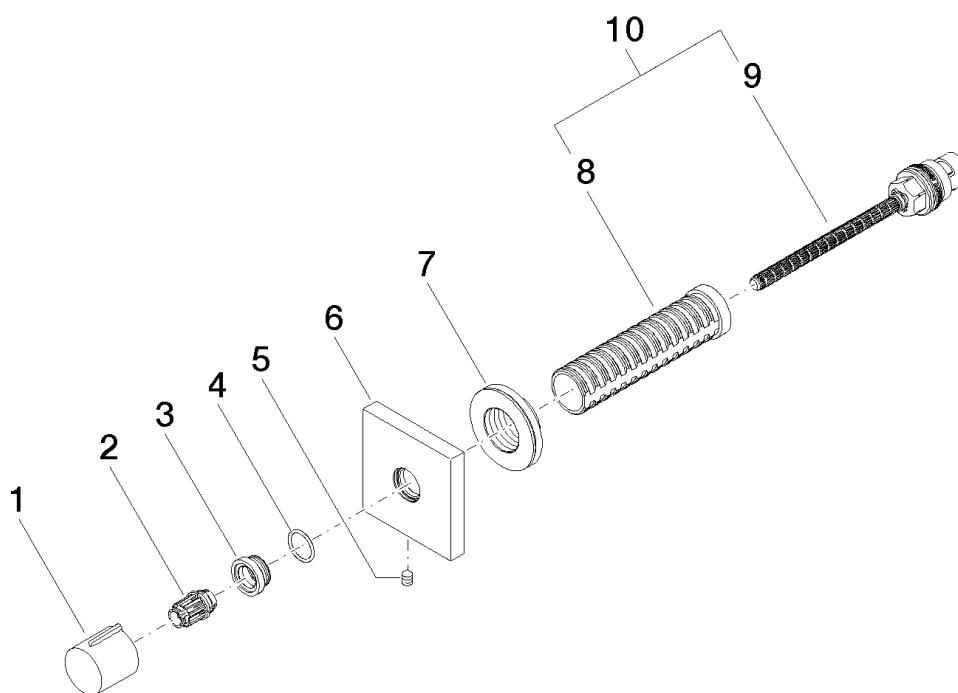
Surfaces

- | | |
|-----------------|-------------|
| • chrome | 36315980-00 |
| • chrome | 36315980-00 |
| • matt platinum | 36315980-06 |
| • matt platinum | 36315980-06 |

Accessories required

- Rough for wall-mounted volume control – 1/2" counter-clockwise closing; 35677970
- Rough for wall-mounted volume control – 1/2" counter-clockwise closing; 35677970

Exploded assembly drawing



Order quantity

| No. | Article number | Name | Installation quantity |
|------------|-----------------------|-------------|------------------------------|
| 1 | 092098001ff | handle | 1 |
| 2 | 09121200590 | fixing cap | 1 |
| 3 | 091212043ff | base | 1 |
| 4 | 09141001790 | seal | 1 |
| 5 | 09311100490 | pin | 1 |
| 6 | 092798020ff | rosette | 1 |
| 7 | 09210215190 | sleeve | 1 |
| 8 | 09184007790 | sleeve | 1 |
| 9 | 09900320290 | top | 1 |
| 10 | 0490032020090 | top | 1 |