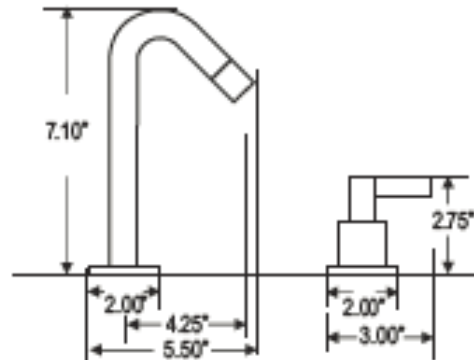




Codes and Standards

- ASME A112.18.1/CSA B125.1-11
- IAPMO US AND CANADA
- ADA



ALTMANS RESERVES THE RIGHT TO
MODIFY AND CHANGE SPECIFICATIONS
AT ANY TIME. PLEASE VERIFY DIMEN-
SIONS PRIOR TO INSTALLATION

Color/Finishes

- Polished Chrome, PVD Satin Nickel only.

Features and Benefits

- Brass Construction
- Flexible Connections
- 1/4 Turn Ceramic Disc Cartridges
- 1/2 Inch valves
- Includes 1 1/4 Standard pop up drain