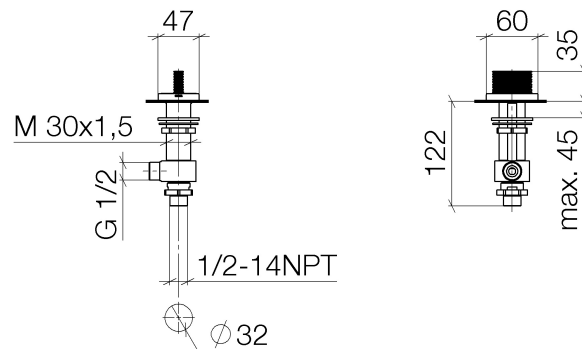




Product specifications

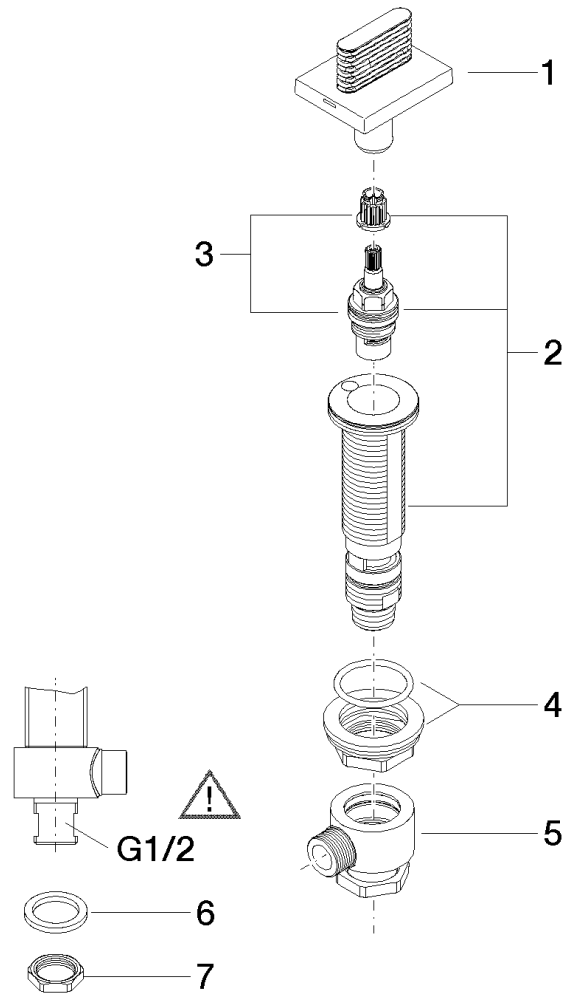
- 1/2" ceramic disc cartridge
 - 1 1/4" hole diameter
 - Flange 2 3/8 x 1 7/8"
- [ADA]



Surfaces

- | | |
|-----------------|-------------|
| • chrome | 20006705-00 |
| • matt platinum | 20006705-06 |

Exploded assembly drawing



**Order quantity**

No.	Article number	Name	Installation quantity
1	90207005306ff	handle	1
2	0417110455390	side panel	1
3	9090031530090	top	1
4	0423100327890	fixing set	1
5	0417110231090	distributor	1
6	09301105990	disc	1
7	09231001290	nut	1

