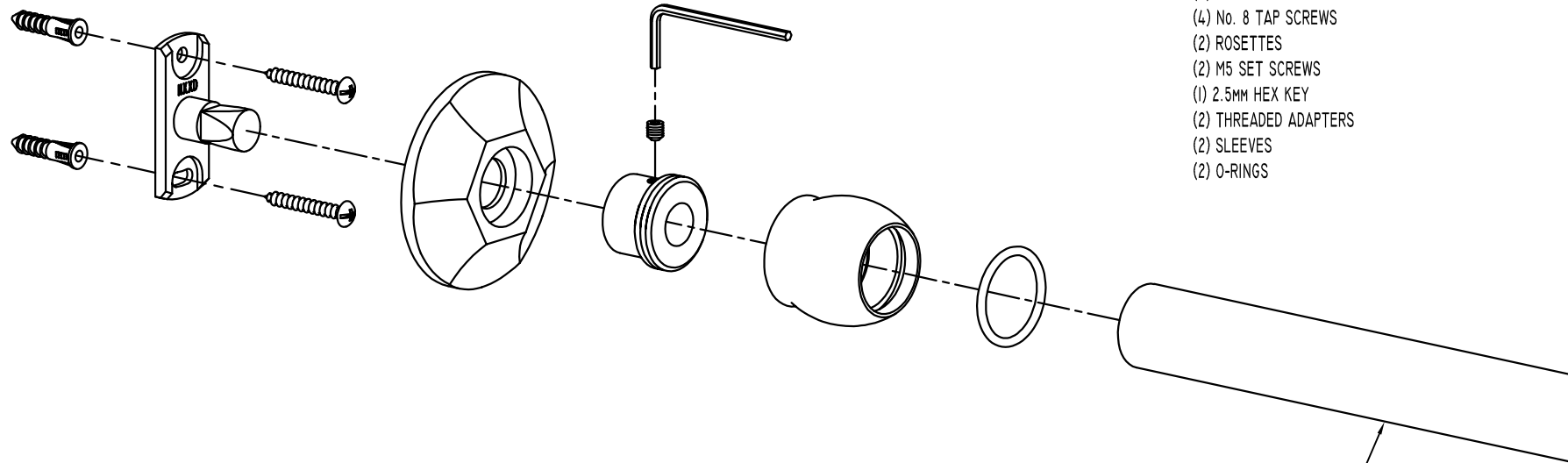
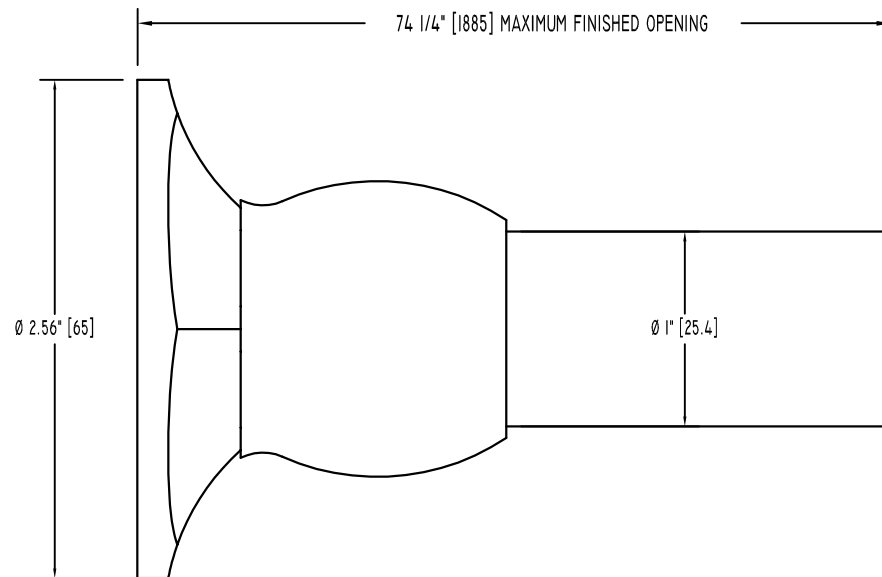


639B BRACKET KIT INCLUDES:

- (2) MOUNTING BRACKETS
- (4) PLASTIC WALL ANCHORS
- (4) No. 8 TAP SCREWS
- (2) ROSETTES
- (2) M5 SET SCREWS
- (1) 2.5MM HEX KEY
- (2) THREADED ADAPTERS
- (2) SLEEVES
- (2) O-RINGS



1" [25.4] x 72" [1829] BRASS TUBE
PART No. 1139R/6



NOTE: COMPLETE SHOWER ROD ASSEMBLY REQUIRES (1) BRACKET KIT PN 639B AND (1) CURTAIN ROD PN 1139R/6.

FINISHES: 3-POLISHED BRASS, 14-POLISHED NICKEL, 15-SATIN NICKEL, 26-POLISHED CHROME, 26/3-COMBINATION, 15/3-COMBINATION		
MATERIAL: FORGED BRASS ROSETTE, BRASS SLEEVE & ADAPTER, STAINLESS STEEL MT. BRACKET		
PART NO.	1139R/6 639B	SHOWER ROD ASSEMBLY DWG. NO. PD-639
DATE: 08.AUG.01	REV.	
		EMPIRE

GINGER
DWG. NO.
PD-639