

# SQUARE COPPER STEPS

Cat. No.  
COSTP-SQ

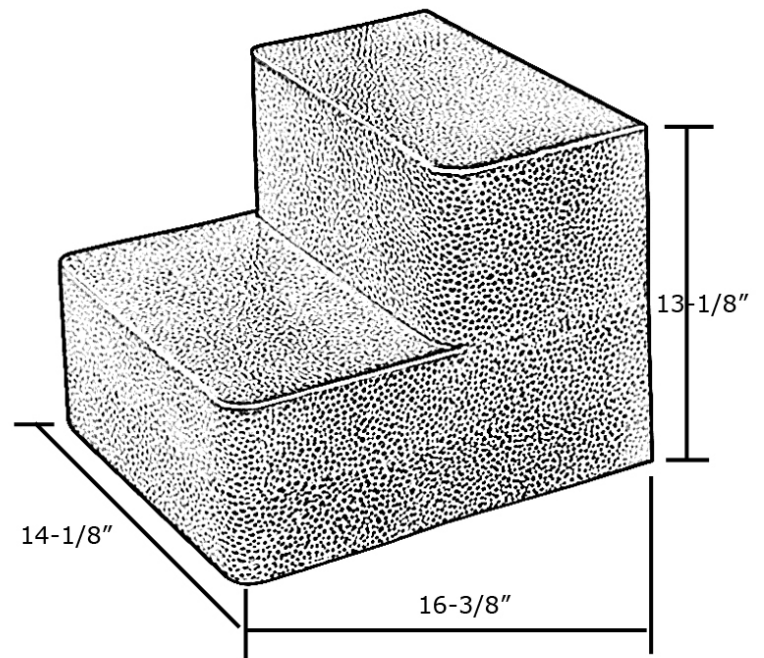


## Features:

- ▶ Made of 16 gauge copper  
(Copper is a living finish and will patina over time)
- ▶ Hammered antique copper finish
- ▶ Hand polished

## Finishes:

**AC** Hammered Antique Copper



Dimensions and specifications subject to change without notice.