



PRODUCT DESCRIPTION

9707 Series 24" Wall Mirror

- Available in White (WHT) or Espresso (ESP) Finish
- Includes Wall Cleat For Easy Installation
- Modular Suite Component

PRODUCT MEASUREMENTS

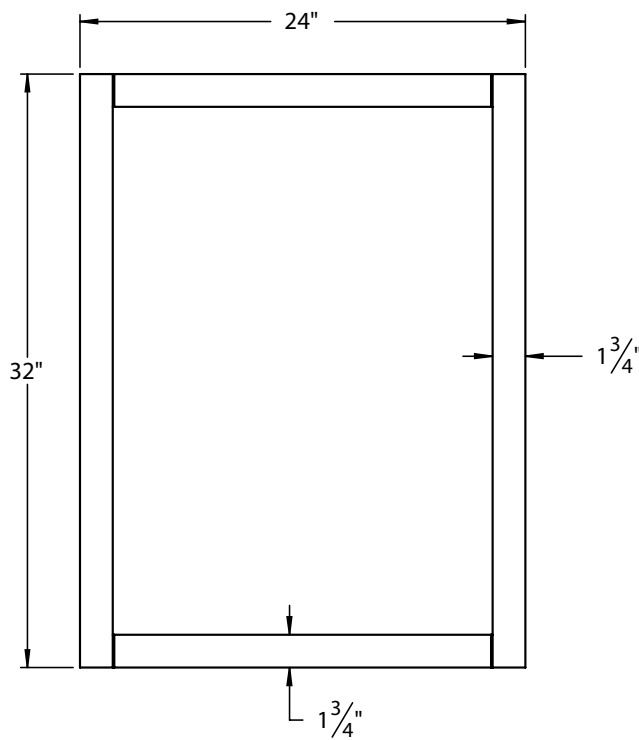
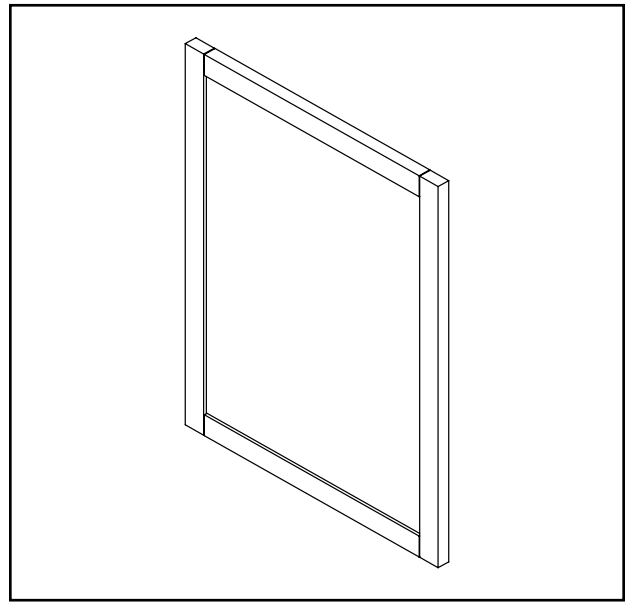
- Width: 24"
- Depth: 1.13"
- Height: 32"

RECOMMENDED ACCESSORIES

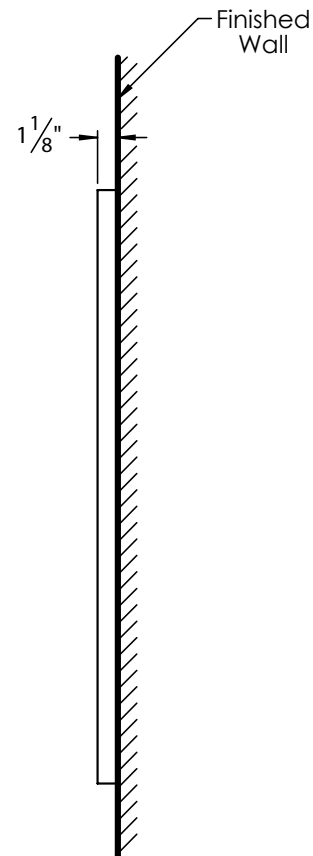
- 5221, 5222 or 5223 Vanities
- 5224 Linen Tower
- 5228 Wall Cabinet

ROUGHING-IN DIMENSIONS

Please Note: All drawings contain the necessary measurements which are subject to standard industry tolerances. They are stated in inches and are non-binding. Exact measurements, in particular for customized installation scenarios, can only be taken from the finished product.



FRONT VIEW



SIDE VIEW