



Type T/P 1/2" coaxial complete valve  
**SYTM43XX**



# Specifications

## Descriptions

- 1/2" inlet male NPT or sweat
- Service stops
- Thermostatic/pressure balance coaxial cartridge with check valves
- Two 1/2" outlets male NPT or sweat
- 1 integrated volume control

## Available colors

- C : Chrome
- BN : Brushed nickel (PVD)

## Available flows

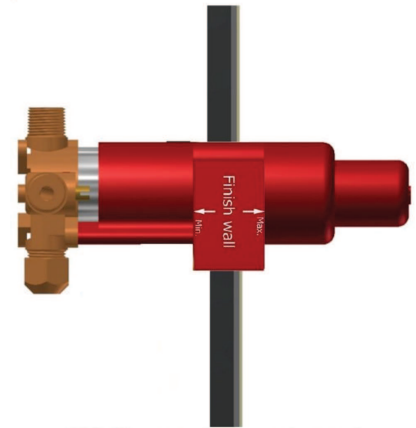
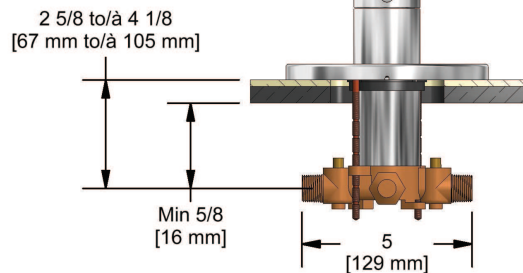
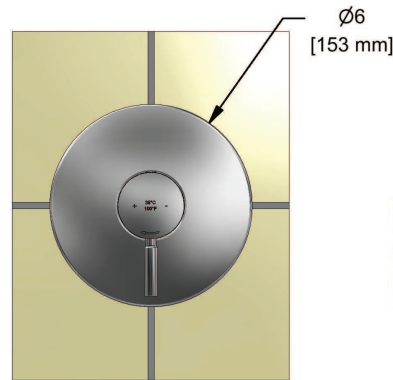
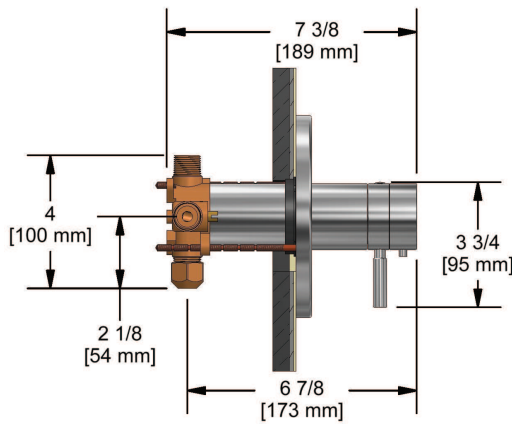
- 41.4 L/min, 10.9 gpm (US) 60psi

## Cartridges

- 0973

## Certifications

- CSA B125.1
- ASME A112.18.1
- ASSE 1016
- CMR248 Approval



Wall template cut out /  
 Gabarit de mur pour découpage

Sizes, models and finishes may differ from those presented.

## Warranty

The Riobel inc. product carries a limited LIFETIME warranty on the finish Chrome, Gold (PVD), Brushed nickel (PVD), Night brushed (PVD), Polished nickel (PVD) and all working parts and is guaranteed from the initial date of purchase against all manufacturing defects. Other finished 1 year.

## Customer Service

Ontario, West Canada : 888-287-5354 Quebec, Maritimes, United States : 866-473-8442