



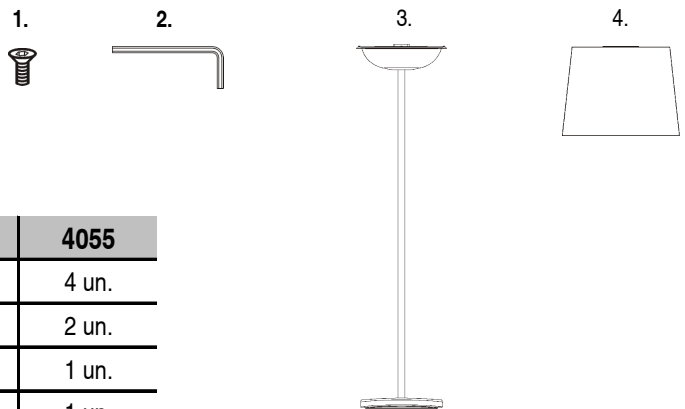
Wind

Design by Jordi Vilardell

VIBIA
LIGHT IS CREATION

ASSEMBLY INSTRUCTIONS

SUPPLIED MATERIAL



	4055
1 Shade's screws	4 un.
2 Allen key	2 un.
3 Lamp structure	1 un.
4 Shade	1 un.

TECHNICAL SPECIFICATIONS

4055. Net Weight 27,8 Kg



1 x T-5 Circline 2GX13 40W



Class I. Product with an additional protection cable (grounds).



Dust-tight product. Protected against water spray.



Product that CAN be in contact with normally-flammable materials (wood or others).

Caution

Before assembling and installing this product, carefully read the following:

-Switch of the mains before installing the lamp.

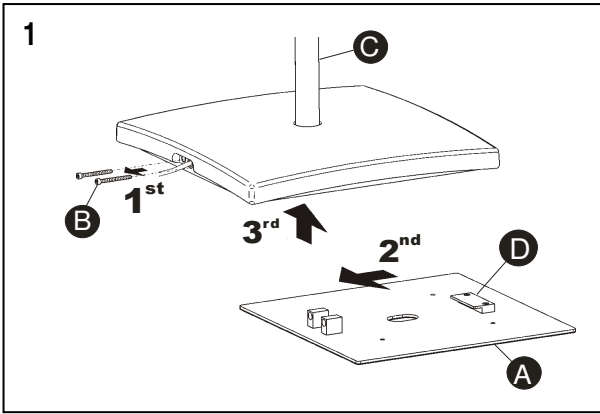
-Always use the recommended bulb

-If you wish to fix the lamp to the ground, choose the most adequate plugs and screws depending on the surface.

-Before the installation, make sure the installation surface will not be damaged. If this happens, it will be the installer's responsibility.

-If the steel cable or the power cord of this lamp is damaged, it must be replaced only by the manufacturer or their technical service or by a person capacitated to this effect to avoid any risk.

ASSEMBLY INSTRUCTIONS



NOTE: Please, follow these instructions just in case you need to fix the lamp to the ground. If you do not need it to be fixed to the ground, skip steps 1 through 3 and go directly to step 4.

1. Disassemble the base (A) as follows:

Remove the two screws (B) using the supplied Allen wrench.

Hold the lamp (C) firmly and move it toward the cable (as shown by the arrow) until it comes loose from the fixing plate (D).

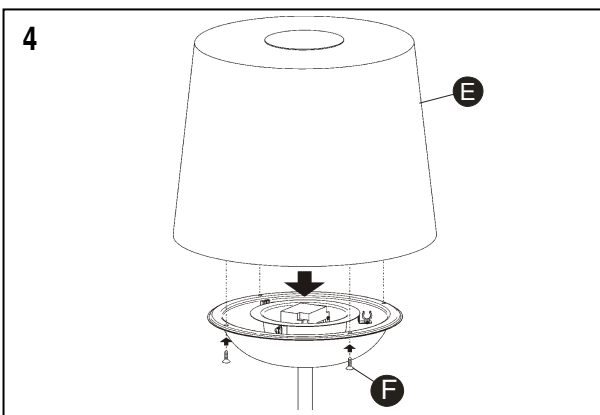
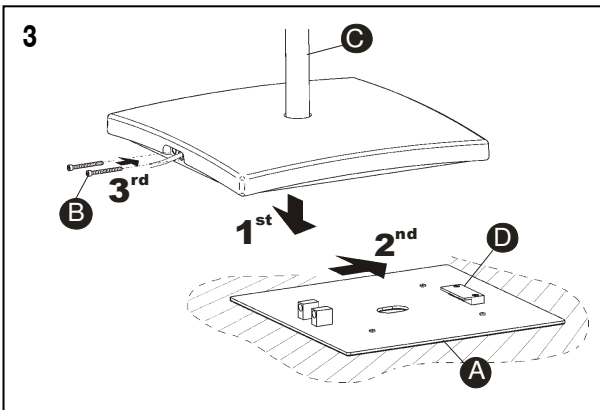
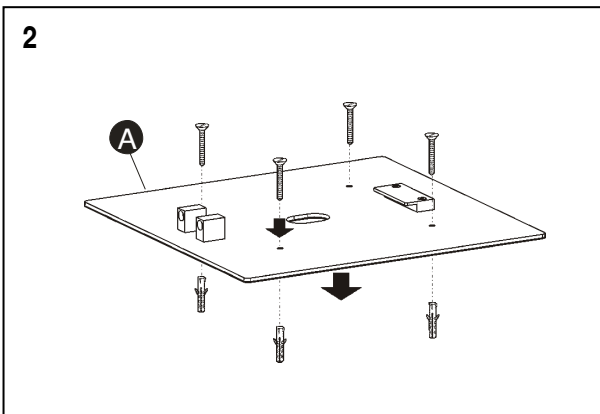
Pull upwards to completely release it from the base (A)

Important: Do not do this if the lamp is leaning or lying on the ground. It must be vertical.

2. Fix the base (A) to the ground using the most adequate screws and plugs (not supplied).

3. Replace the lamp (C) following the instruction of step 1 backwards, making sure the lamp is firmly joined to the anchorage device (D), and fix it in place by tightening the screw (B) with supplied allen key.

4. After installing the fluorescent bulb, fix the shade (E) in place using its 4 screws (F) (supplied in a bag), using the supplied Allen wrench.



Maintenance

-Use a slightly-wet cotton cloth for cleaning.

-In case of malfunction or damage, please contact the retailer who sold the lamp.