



Type P (pressure balance) complete valve with diverter  
**PR55XX**



# Specifications

## Descriptions

- 1/2" inlet male NPT or sweat
- Service stops
- Diverter
- Ceramic cartridge and balancing spool with check valves
- Double action: flow and temperature control

## Available colors

- C : Chrome
- CW : Chrome/White
- BN : Brushed nickel (PVD)

## Available flows

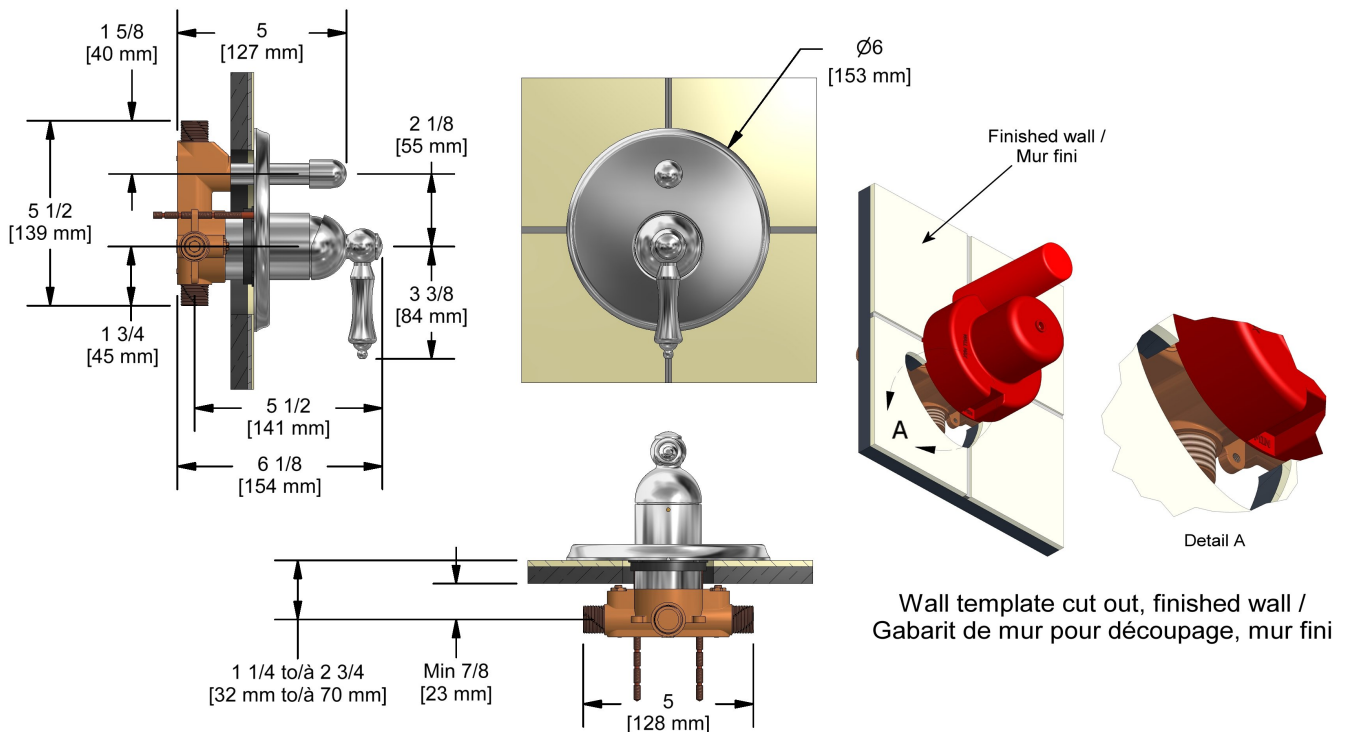
- 22 L/min, 5.8 gpm (US) 60psi

## Cartridges

- 401-016 - 405-010

## Certifications

- CSA B125.1
- ASME A112.18.1
- ASSE 1016



Sizes, models and finishes may differ from those presented.

## Warranty

The Riobel inc. product carries a limited LIFETIME warranty on the finish Chrome, Gold (PVD), Brushed nickel (PVD), Night brushed (PVD), Polished nickel (PVD) and all working parts and is guaranteed from the initial date of purchase against all manufacturing defects. Other finished 1 year.

## Customer Service

Ontario, West Canada : 888-287-5354 Quebec, Maritimes, United States : 866-473-8442