

S-TIFAS 99 Series

S-TIFAS 99 | Site Sizeable

- Modify length and locate outlet on-site
- Indoor or outdoor use
- Incorporates tile or solid surface material within the grate frame
- 316 stainless steel grate
- Stainless steel channel
- Cast Iron clamp down floor drain with 4" throat (strainer size) & 3" outlet
- Uses Hot Mop, Lead Pan, PVC Vinyl Liner, Rubber Liner (Chloraloy™) Copper Pan or Fiberglass waterproofing
- Grate can be removed completely for cleaning
- Flow rate 21 GPM per outlet*

Finishes:

- Satin Stainless
- Polished Stainless



Complete Kits:

S-TIFAS 9940	40" Complete Kit
S-TIFAS 9948	48" Complete Kit
S-TIFAS 9960	60" Complete Kit
S-TIFAS 9980	80" Complete Kit
S-TIFAS 9996	96" Complete Kit

Longer lengths for indoor or outdoor installations.

Components:

TA 6540	40" Stainless Steel Grate
TA 6548	48" Stainless Steel Grate
TA 6560	60" Stainless Steel Grate
TC 6548	48" Stainless Open Ended Channel
TC 6596	96" Stainless Open Ended Channel
HC 6532	32" Stainless Closed Ended Channel
HC 6540	40" Stainless Closed Ended Channel
HC 6552	52" Stainless Closed Ended Channel
HC 6572	72" Stainless Closed Ended Channel
HC 6588	88" Stainless Closed Ended Channel
HF 99	8" Stainless Steel Outlet Section
TJS 65	Stainless Steel Joiner Strip
TE 65	Stainless Steel End Section
TIF PL	TIF Plates
TKEY	Lift Out Key
Sikaflex	1a Construction Sealant
CDI 43	Cast Iron Drain Body

Additional Clamp Down Drains:

CDA 43	Clamp Down Drain ABS
CDP 43	Clamp Down Drain PVC
CDIT 43	Clamp Down Drain Cast Iron
CDIC 43	Clamp Down Drain Cast Iron

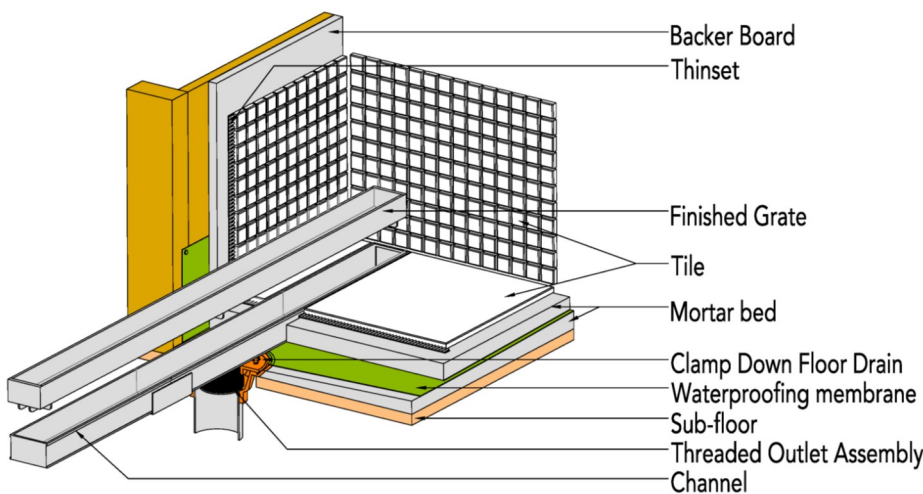
*Cast Iron Standard

Optional Components:

SHA 65	Stainless Steel 90° Angle Joiner
UCP 4	Universal 4" Clamping Plate

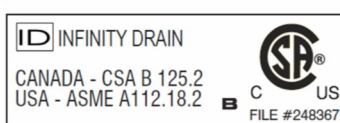
Note: Installer must verify all rough-in dimensions prior to installation and consult local and national codes. Conformity and compliance to local and national codes are the responsibility of the installer.

Installation (S) Site Sizable

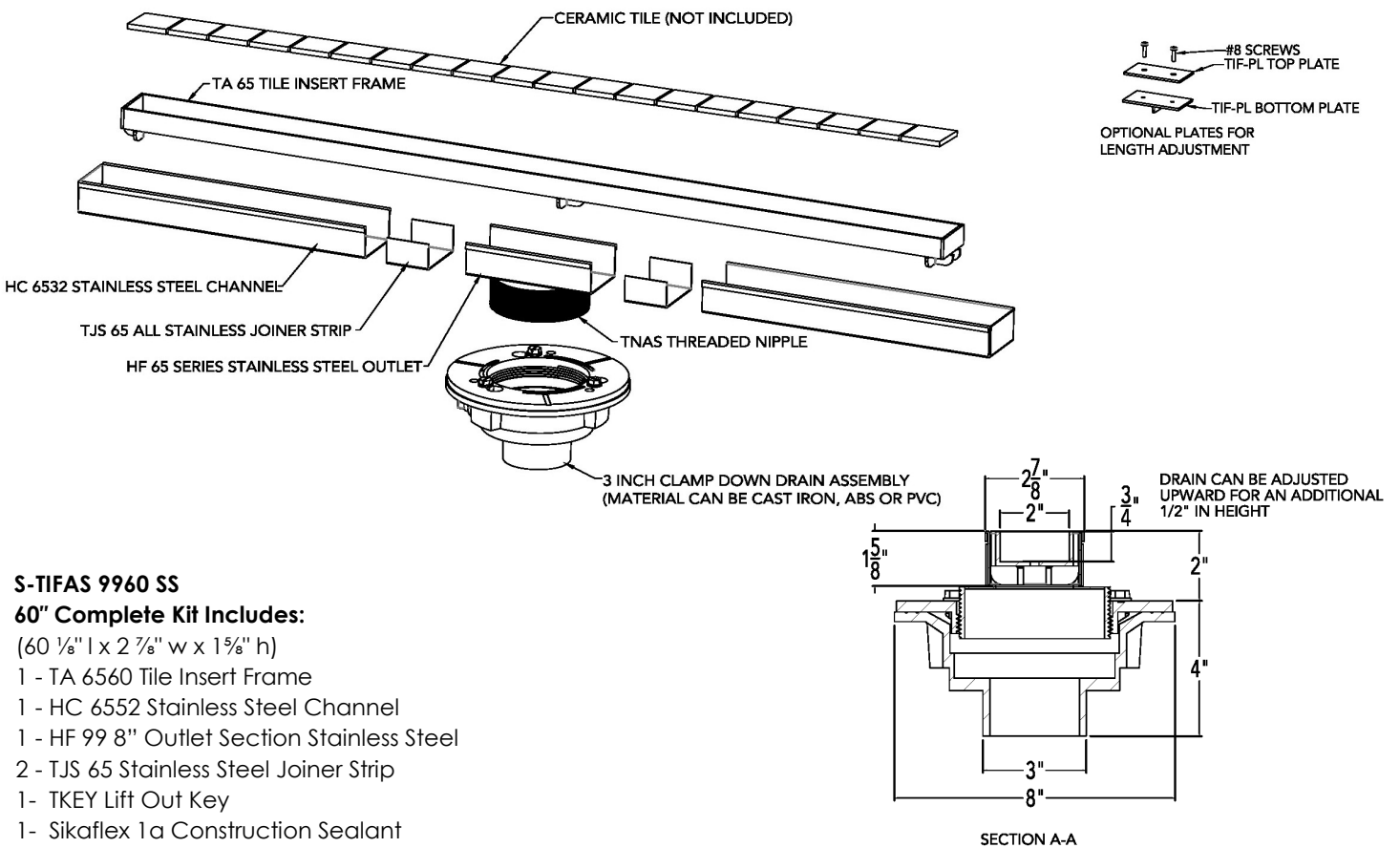
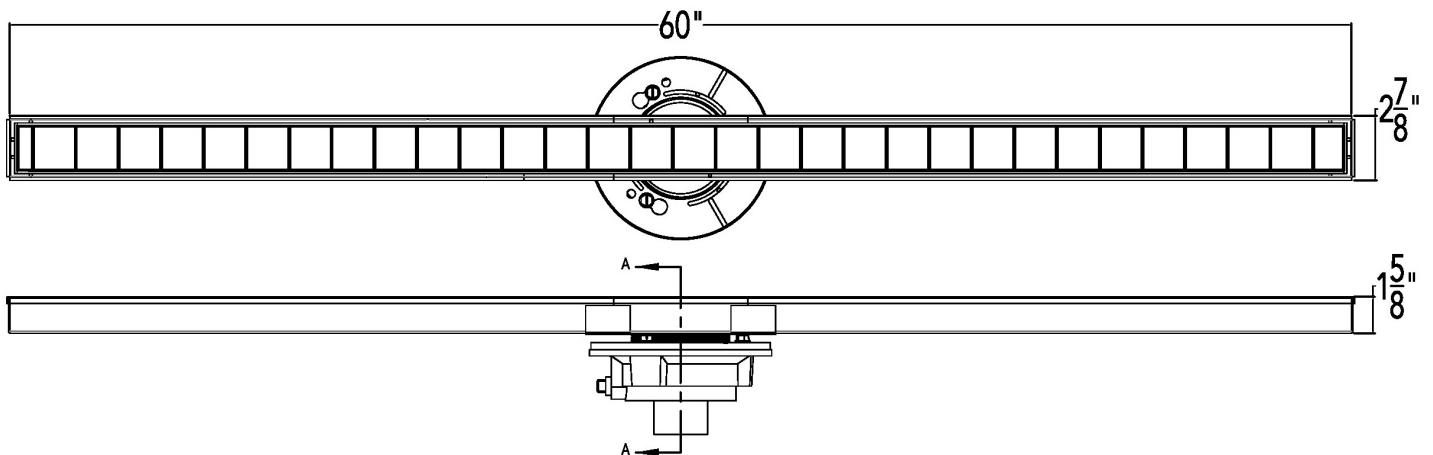


Infinity Drain

18 Secatoag Avenue
 Port Washington, NY 11050
 Phone: 516.767.6786
 Fax: 516.740.3066
 www.InfinityDrain.com



S-TIFAS 9960 Specifications



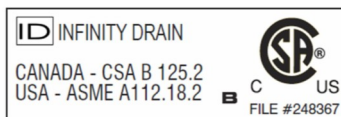
S-TIFAS 9960 SS

60" Complete Kit Includes:

- (60 1/8" l x 2 7/8" w x 1 5/8" h)
- 1 - TA 6560 Tile Insert Frame
- 1 - HC 6552 Stainless Steel Channel
- 1 - HF 99 8" Outlet Section Stainless Steel
- 2 - TJS 65 Stainless Steel Joiner Strip
- 1- TKEY Lift Out Key
- 1- Sikaflex 1a Construction Sealant
- 1 - CDI 43 Cast Iron Drain Body

Infinity Drain

18 Secatoag Avenue
 Port Washington, NY 11050
 Phone: 516.767.6786
 Fax: 516.740.3066
 www.InfinityDrain.com



Note: Installer must verify all rough-in dimensions prior to installation and consult local and national codes. Conformity and compliance to local and national codes are the responsibility of the installer.