

Single Light 2781

Features

- Solid brass construction
- Single-post, single light with nightlight option design
- UL listed for damp locations
- May be wired for independently functioning main light and nightlight **
- Must be installed with shade facing upward
- Complements Circe product series

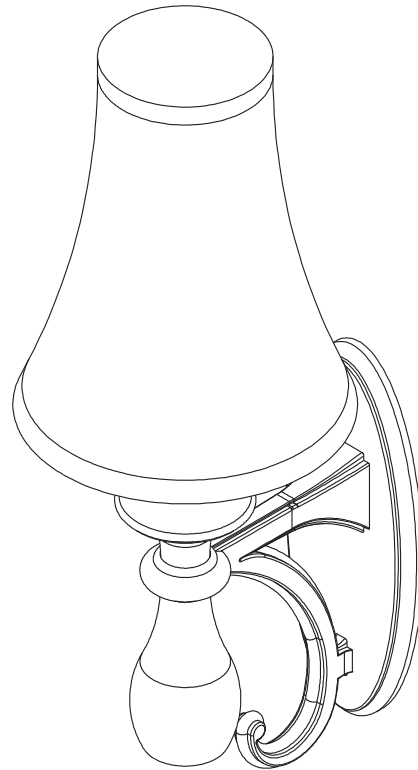
Codes / Standards Compliance

Meets or exceeds the following at date of manufacture:

- UL 1598
- All applicable US Federal and State material regulations

Colors / Finishes

- ORB: Oil Rubbed Bronze
- PC: Polished Chrome
- PN: Polished Nickel
- SN: Satin Nickel
- Other: Refer to the Ginger catalog for additional color/finish options.



* *Installation Note (Electrician/Wall-finisher): This light uses a non-standard size backplate. This light is designed to be installed onto a standard vertically installed switch box. Maximum width of finished opening is 2-1/2". ** Double rocker switch (1000-2 or equivalent) required.*

Specified Model

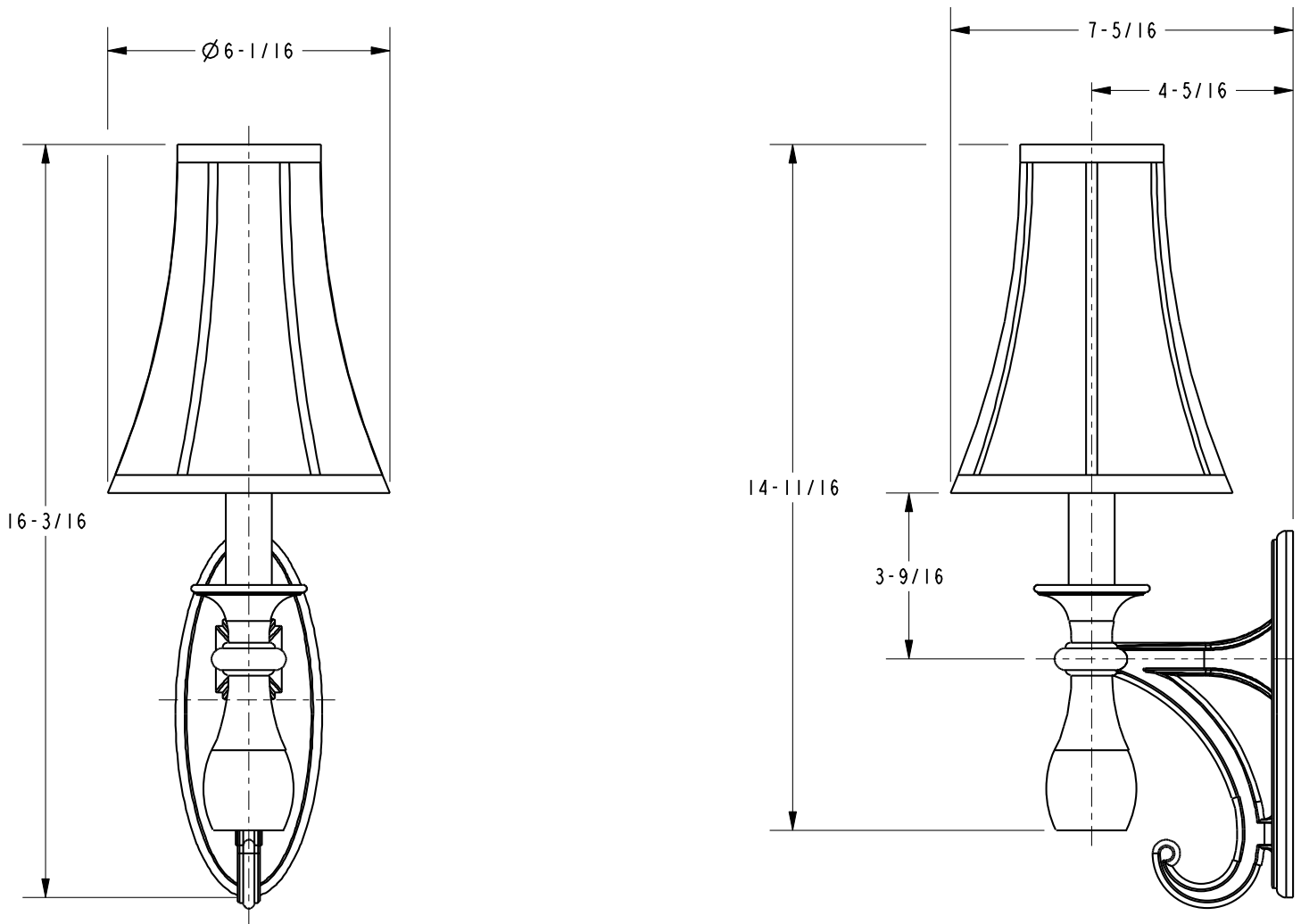
Model	Description	Colors Finishes				
2781	Single Light with Nightlight Option, Poly-rayon Fabric Shade *	<input type="checkbox"/> ORB	<input type="checkbox"/> PC	<input type="checkbox"/> PN	<input type="checkbox"/> SN	<input type="checkbox"/> Other
2781-TS	Replacement Poly-rayon Fabric Shade					

Product Specification: Add glass type designator and "Color / Finish" suffix to Model number, below.

The Single Light shall incorporate solid brass construction with a nightlight option and a poly-rayon fabric shade. Single Light shall complement Ginger Circe product series. Single Light shall be Ginger Model 2781/_____.

2781

Product Dimensions *(units are in inches)*



Circe Single Light
2781

page 2 of 2 spec_2781

GINGER®

t: 949.417.5207 | www.gingerco.com
©2012 Brasstech, Inc.